

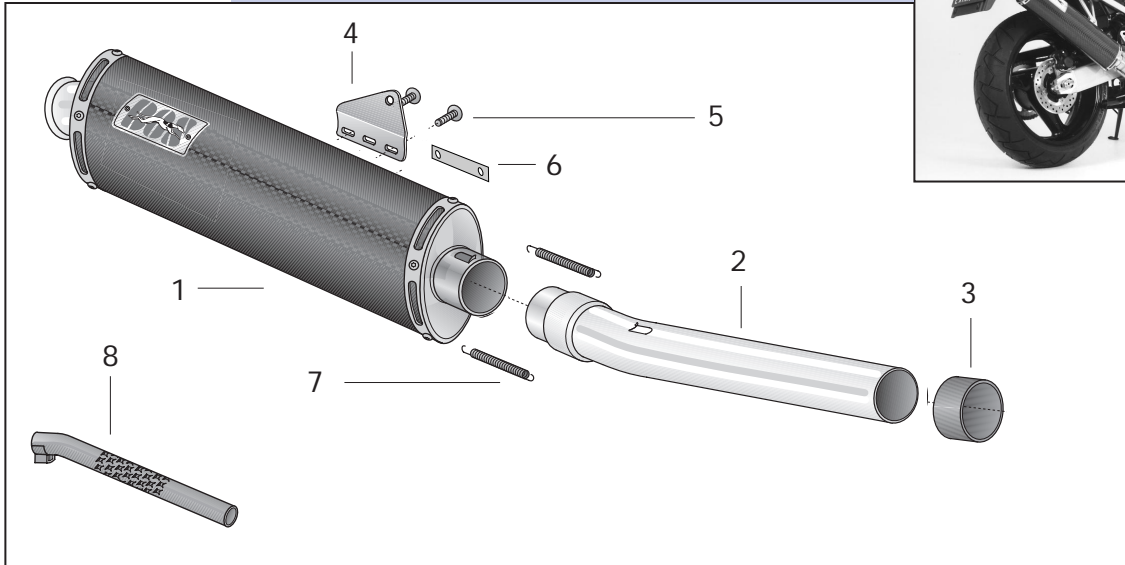
HONDA

CBR 600 FX

SLIP-ON 99 AND 2000



Motorcode



PARTS

Pos	Qty	Description	Aluminium	Carbon	Titanium
1	1	Muffler sport	299145	299147	299146
	1	Muffler appr.	299148	299150	299149
2	1	Adapter	298032	←	←
3	1	Gasket	404001	←	←
4	1	Mounting bracket	227107	←	←
5	2	Tap bolt M6X20	408052	←	←
6	1	Locking tab	283001	←	←
7	2	Spring	405001	←	←
8	1	dB eater (sport)	241001	←	←
9	1	Stand stop	287002	←	←
10	1	Bolt M8X16	408001	←	←
11	1	Washer M8	408003	←	←
12	1	Lockwasher M8	408037	←	←
13	1	Tuning manual	426002	←	←
14	4	Washer M3	408036	←	←
15	2	Jet 135	425001	←	←
16	2	Jet 137,5	425002	←	←

ORDER NUMBER

1310269A - Alu sport

1310269C - Carbon sport

1310269T - Titanium sport

1310269B - Alu approved

1310269D - Carbon approved

1310269U - Titanium approved

RB10269 - Racing bracket 312002



Weight original; 4.9 kg, Bos; 3.2 kg

Noiselevel at 7000 rpm of orig.; 91 db(a), Bos; 92 db(a)

TIPS

The muffler comes with a complete tuning kit that consists of new jets and a manual. With this kit there is extra powergain because the CBR 600 FX has original a very poor mixture. This muffler can also be mounted high using our racing bracket RB10269 (not included). The original duo footrests can't be used with this bracket.

