



● Thank you for purchasing the our product. Before installing, please read the instruction carefully and keep it for future reference.

⚠ Notice

- Please, follow the step-by-step instructions for proper installation. Any damages caused by faulty installation shall be imputed to the users.
- To avoid a short circuit, do not pull the wires when installing the unit. Do not break or modify the wires either.
- Do not disassemble or change any parts.
- Maintenance and repairs should be executed by our professionals only.

⊙ Mark Meaning:

NOTE You could get the installation details from the information behind the mark.

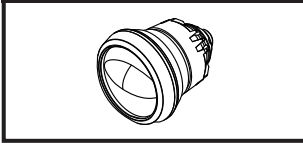
⚠ Some procedures must be followed to avoid faulty installation.

⚠ WARNING! Some procedures must be followed to avoid damages from occurring to yourself and to others.

⚠ CAUTION! Some procedures must be followed to avoid damages from occurring to the vehicle.

1 Accessories

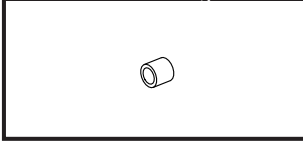
1 Aurora LED Fog Light X2



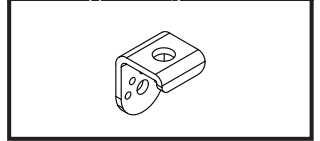
2 Aurora LED Fog Light Bracket X2



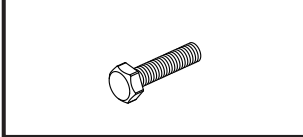
3 Aurora LED Fog Light Bracket Bushing X4



4 Aurora LED Fog Light L Type Hanger X2



5 M6 X P1.0 X 25L Screw X2



6 M6 X P1.0 Screw Nut X2



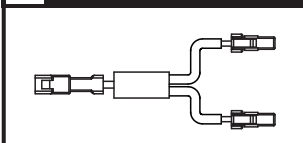
7 M4 X P0.7 X 20L Screw X2



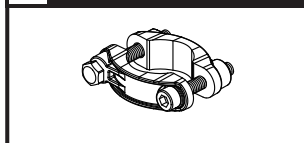
8 M4 X P0.7 Screw Nut X2



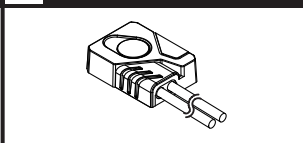
9 Connecting Wire X1



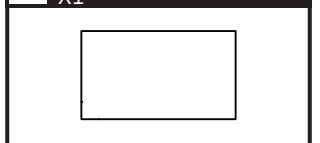
10 Crash Guard Bracket X2



11 Fog Light Switch X1

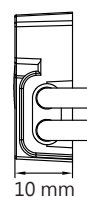
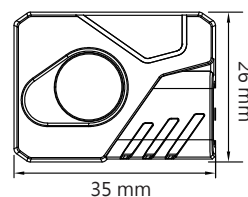
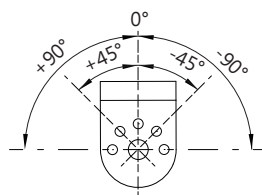
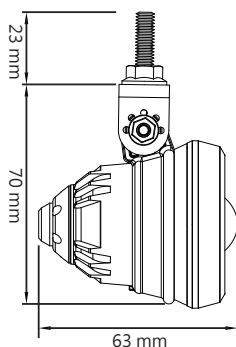
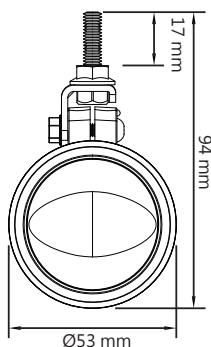


12 Double-sided adhesive X1



NOTE Contact your local distributor, if the items received in the box are not the same as the items listed above.

2 Specifications



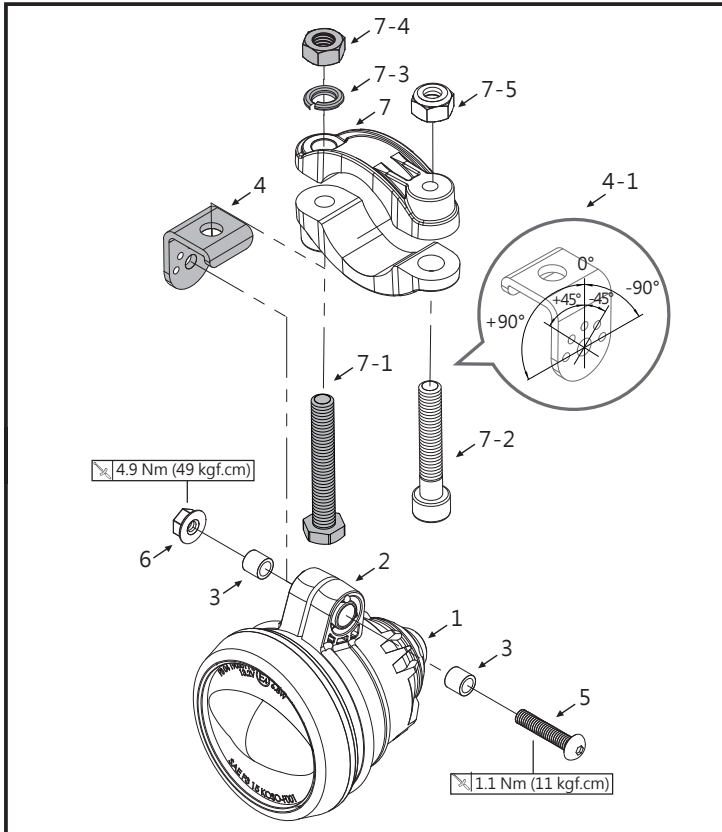
- Module Storage Temp. Range -10 ~ 60 °C
- Standard JIS D 0203
- Angle of Pitch (for adjustment) +90° / +45° / 0 / -45° / -90°
- Effective voltage DC 10 ~ 16 V
- Size Ø 53 X H 63 mm
- Weight About 99 g

- Effective temperature range -10 ~ 60°C
- Standard JIS D 0203
- Effective voltage DC 12 V
- Size 35 x26 x 10 mm
- Weight Around 44 g

NOTE Design and specifications are subject to change without notice!

NOTE Design and specifications are subject to change without notice!

3 Installation instructions



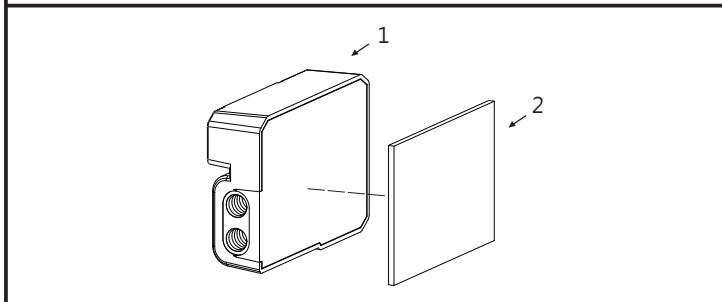
Follow the steps below during installation.

1. Aurora LED Fog Light (Accessory 1)
2. Aurora LED Fog Light Bracket (Accessory 2)
3. Aurora LED Fog Light Bracket Bushing (Accessory 3)
4. Aurora LED Fog Light L Type Hanger (Accessory 4)

NOTE LED Fog Light L type Hanger (Accessory 4) could be installed either from the LHS of the fog light clamp or RHS of it, and also could be assembled with 7-1, 7-3, and 7-4 on both direction.

5. M4 X P0.7 X 20L Screw (Accessory 7)
6. M4 X P0.7 Screw Nut (Accessory 8)
7. Crash Guard Bracket (Accessory 10)
- 7-1. M6 X 40L XP1.0 Screw
- 7-2. M6 X 35L XP1.0 Screw
- 7-3. M6 Spring Washer
- 7-4. M6 Screw Nut
- 7-5. M6 Lock Nut

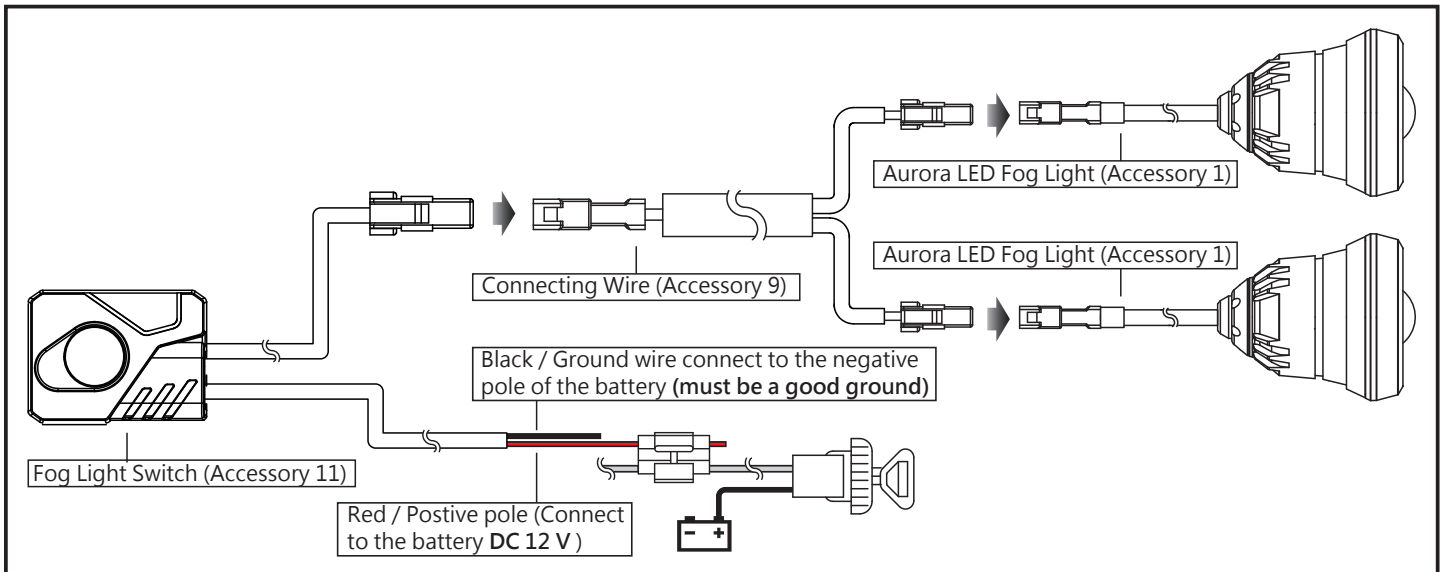
NOTE Components from 7-1 to 7-5 are already installed on the Crash Guard Bracket (Accessory 10).



Follow the steps below during installation.

1. Fog Light Switch (Accessory 11)
2. Double-sided adhesive (Accessory 12)

4 Wiring installation instructions



5 Trouble shooting

The following situation do not indicate malfunction of the meter. Please check the following before taking it in for repair.

Trouble	Check item
No LED indicator lighting up.	<ul style="list-style-type: none"> ● Power supply cable may be disconnected. <ul style="list-style-type: none"> → Check if power supply cable is broken or disconnected. → Check if positive and negative poles are properly connected.

※ If still can't solve the problems according to the step above, please contact with distributors or us.