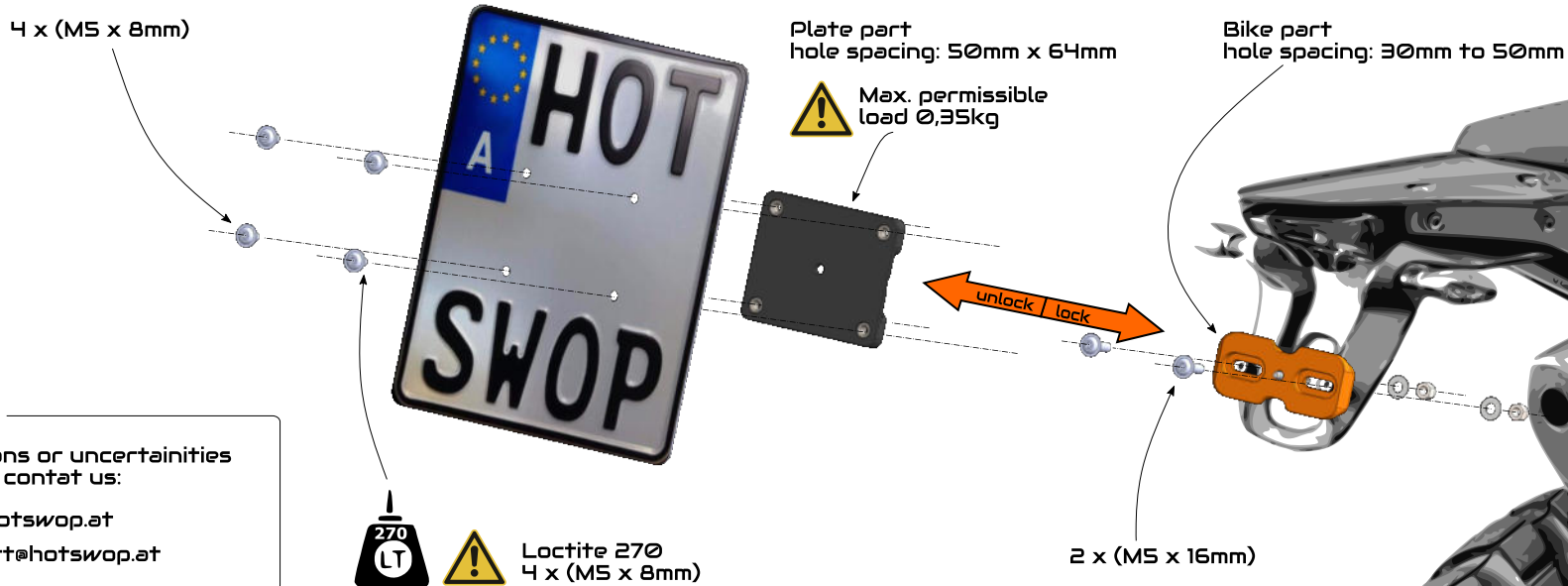


HotSwop PRO - Assembly Instruction



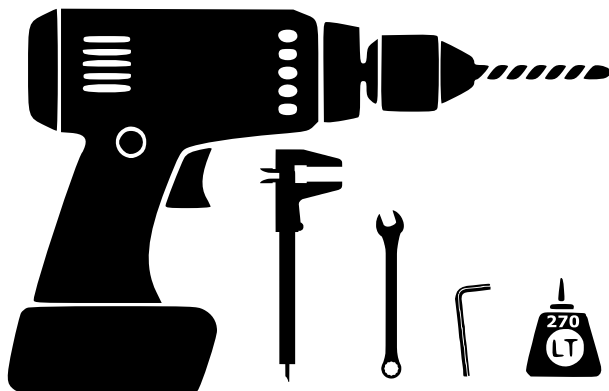
Support

For questions or uncertainties
Feel free to contact us:

 www.hotswop.at
 support@hotswop.at

Required tools

- Jaw spanner 6 | 8 | 10
- Drill Ø5 | optional Ø12
- Allen key 3 | 5
- Loctite 270 (high strength)
- Caliper




Function

the licence plate gets locked-and-unlocked by sliding the Plate part which is mounted on the license plate, onto the Bike part. Then pull the locking bolt, which locks as soon as the plate part is positioned centrally with the bike part.

Safety instructions

Safety-relevant information and work steps are marked in the instructions as shown below and must be followed unconditionally:

 indicates that there is a risk of death or injury in case the procedure is not carried out correctly.

 Indicates possible damage of components

Liability

Any technical modification is prohibited.
For damage due to non-observance of the instructions, improper use or installation, no liability is assumed.



HotSwop PRO - Assembly Instruction

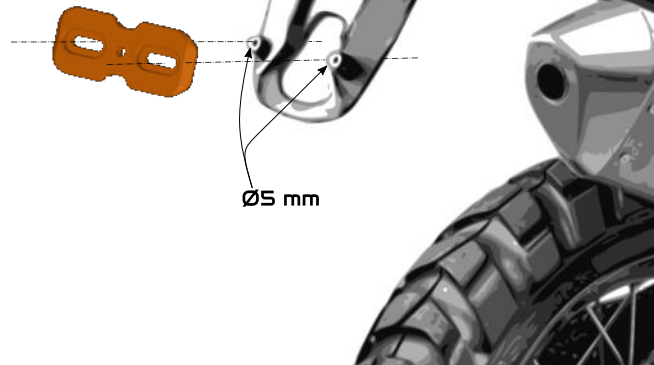
1 Connect Bike part with rear

Bike part can be mounted horizontal or vertically as shown, directly on the tail, provided for this purpose.

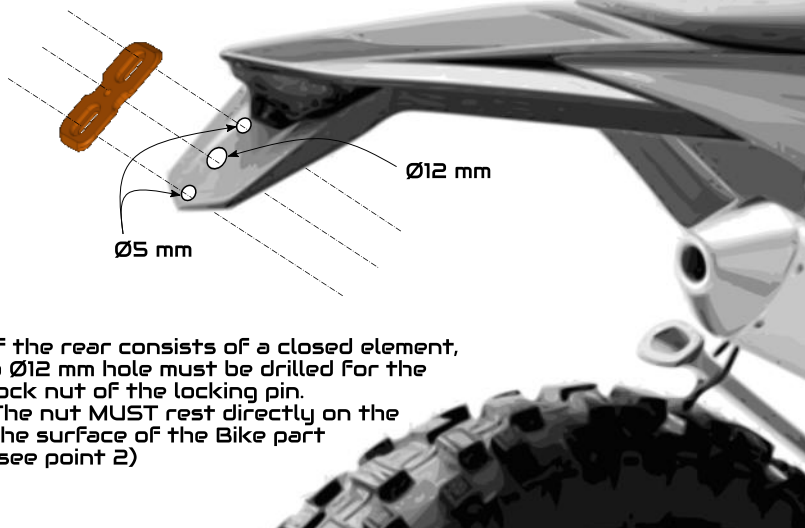
 Any other mounting variants are strictly prohibited and not permitted.

Drill only the fixing holes in this works step.

Horizontal

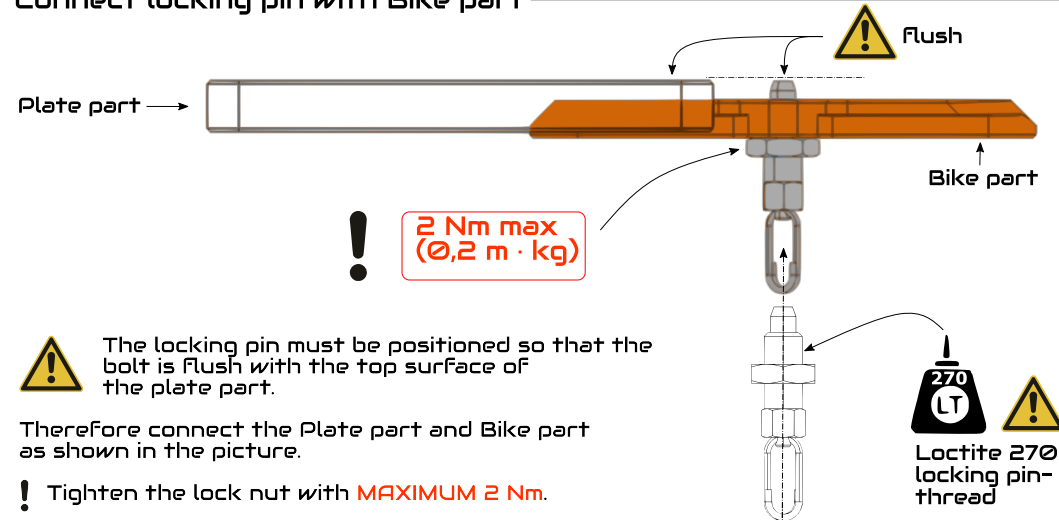



Vertical



If the rear consists of a closed element, a Ø12 mm hole must be drilled for the lock nut of the locking pin. The nut **MUST** rest directly on the surface of the Bike part (see point 2)

2 Connect locking pin with Bike part

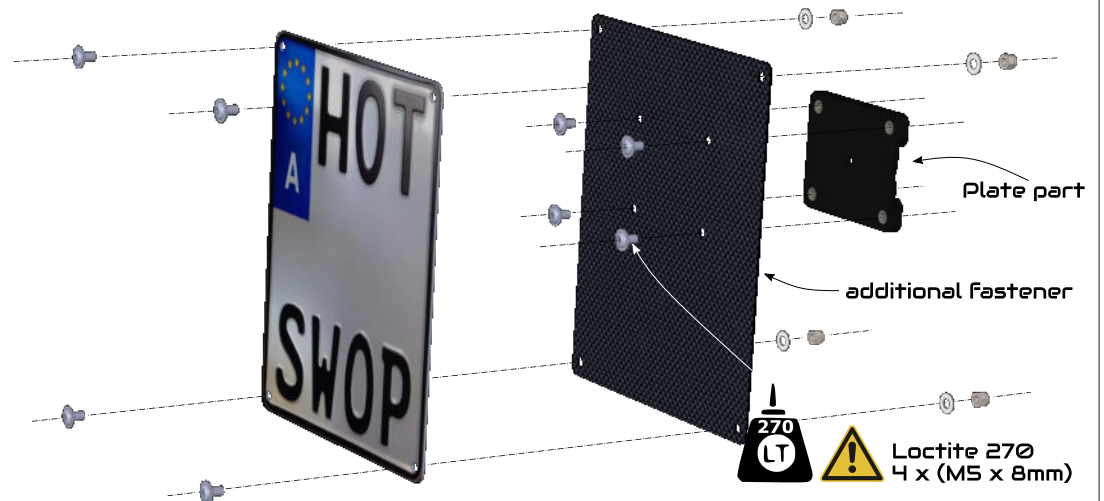


 The locking pin must be positioned so that the bolt is flush with the top surface of the plate part.


Therefore connect the Plate part and Bike part as shown in the picture.

 Tighten the lock nut with **MAXIMUM 2 Nm**.

3 OPTIONAL: License plate with additional fasteners



For direct connection of the license plate with the Plate part: see Page 1.

 When using additional retaining parts (licence plate holder, aluminium or carbon plates*, etc.), particular care must be taken that the maximum permissible load of the plate part of 0.35 kg is not exceeded.

BENEFIT: If additional retaining elements are used, no central holes are required in the licence plate. Also the licence plate is additionally protected and strengthened.
* Available in the online shop