



MODEL APRILIA RSV4

YEAR 2009-->

LINE SPORT

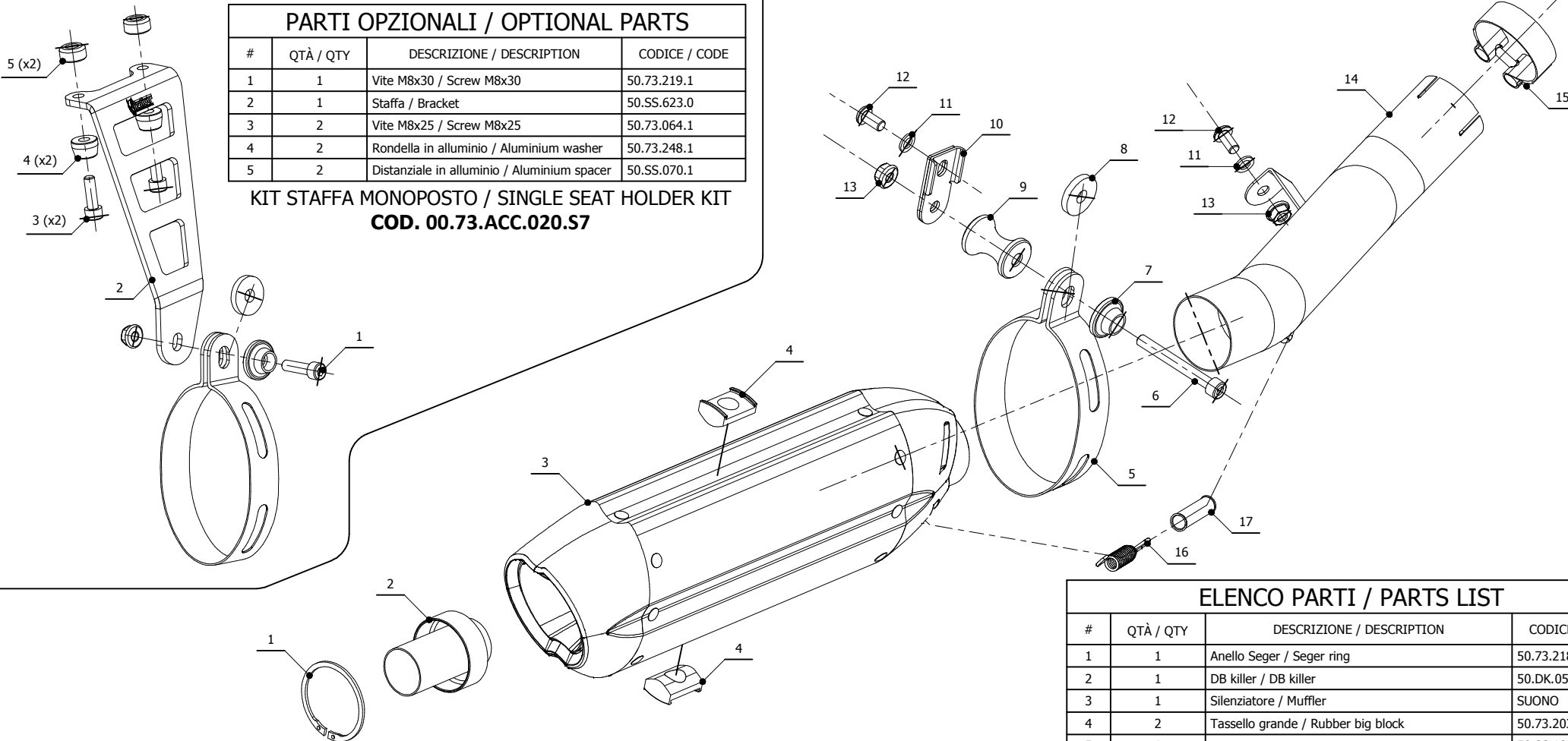
MUFFLER SUONO

SCHEMATIC

PARTI OPZIONALI / OPTIONAL PARTS

#	QTÀ / QTY	DESCRIZIONE / DESCRIPTION	CODICE / CODE
1	1	Vite M8x30 / Screw M8x30	50.73.219.1
2	1	Staffa / Bracket	50.SS.623.0
3	2	Vite M8x25 / Screw M8x25	50.73.064.1
4	2	Rondella in alluminio / Aluminium washer	50.73.248.1
5	2	Distanziale in alluminio / Aluminium spacer	50.SS.070.1

KIT STAFFA MONOPOSTO / SINGLE SEAT HOLDER KIT
COD. 00.73.ACC.020.S7



ELENCO PARTI / PARTS LIST

#	QTÀ / QTY	DESCRIZIONE / DESCRIPTION	CODICE / CODE
1	1	Anello Seger / Seger ring	50.73.218.1
2	1	DB killer / DB killer	50.DK.054.0
3	1	Silenziatore / Muffler	SUONO
4	2	Tassello grande / Rubber big block	50.73.203.1
5	1	Staffa in carbonio / Carbon fiber bracket	50.SS.180.1
6	1	Vite M8x70 / Screw M8x70	50.73.086.1
7	1	Rondella in alluminio nera / Black aluminium washer	50.73.221.1
8	1	Rondella in gomma / Rubber washer	50.73.227.1
9	1	Distanziale in alluminio / Aluminium spacer	50.SS.191.1
10	1	Staffa / Bracket	50.SS.581.0
11	2	Rondella M8 / Washer M8	50.73.270.1
12	2	Vite M8 x 16 / Screw M8 x 16	50.73.098.1
13	2	Dado 8 MA flangiato / Flanged nut 8 MA	50.73.052.1
14	1	Tubo di raccordo / Link pipe	9773A008S2
15	1	Fascetta Ø 56/59 mm / Pipe clamp Ø 56/59 mm	50.FA.009.1
16	1	Molla corta / Short Spring	50.73.123.1
17	1	Tubo in gomma per molla / Rubber pipe for spring	50.73.210.1

APPLICAZIONI / APPLICATIONS

CODICE / CODE	TUBO / PIPE	SILENZIATORE / MUFFLER	FASCETTA / CLAMP	CODICE OMOL. / HOMOL. CODE
A.008.L7	INOX / ST. STEEL	INOX (COPPE CARBONIO) / ST. STEEL (CARBON CAPS)	CARBONIO / CARBON FIBER	ME008 e9 1176
A.008.L9	INOX / ST. STEEL	CARBONIO (COPPE CARBONIO) / CARBON (CARBON CAPS)	CARBONIO / CARBON FIBER	ME008 e9 1176