



MODEL KAWASAKI Z900

YEAR 2017 -->

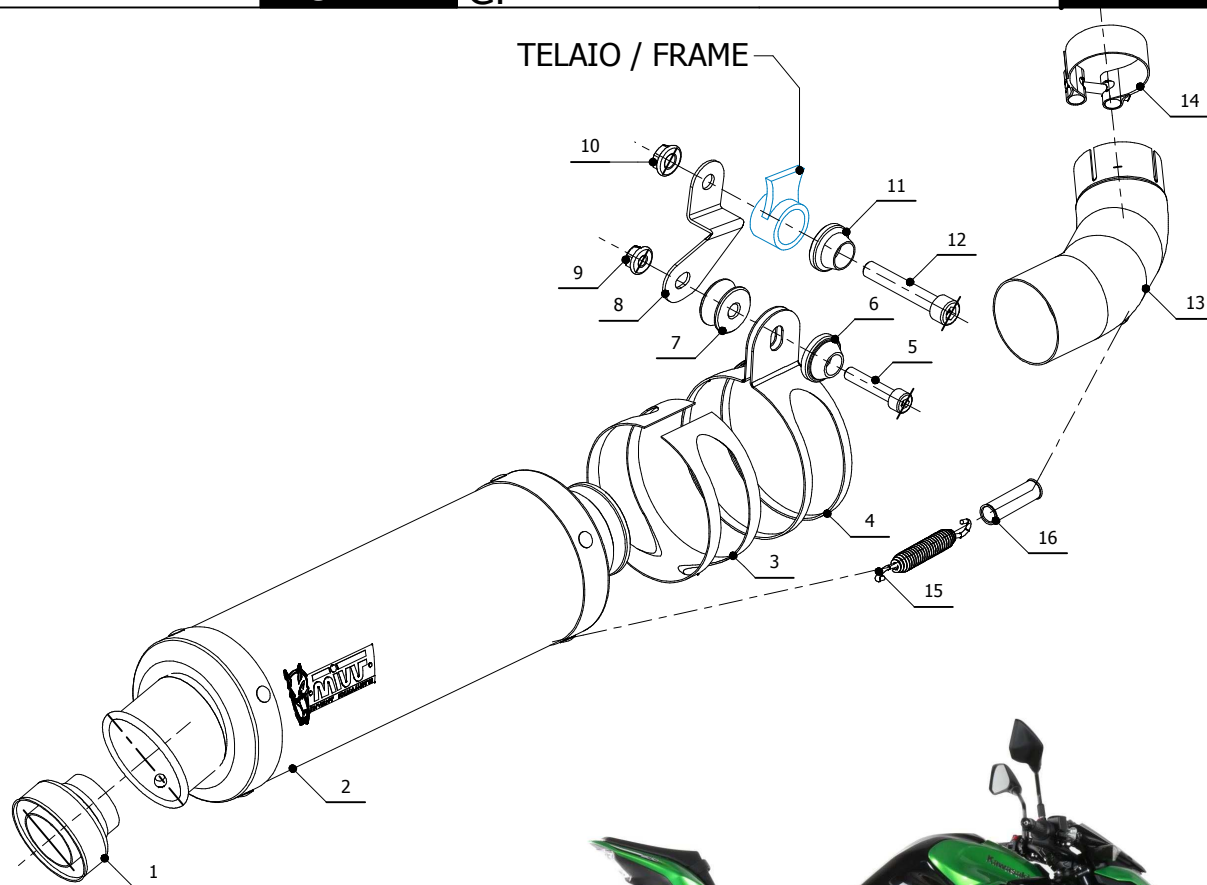
LINE SLIP ON

MUFFLER GP

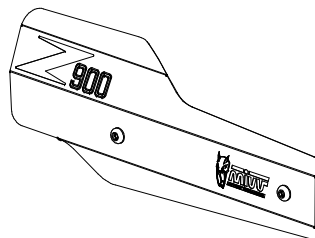
SCHEMATIC

ELENCO PARTI / PARTS LIST

#	QTÀ / QTY	DESCRIZIONE / DESCRIPTION	CODICE / CODE
1	1	DB killer / DB killer	50.DK.067.0
2	1	Silenziatore / Muffler	GP
3	1	Protezione per staffa / Bracket protection	50.73.040.1
4	1	Staffa / Bracket	50.SS.001.0
5	1	Vite M8x40 / Screw M8x40	50.73.075.1
6	1	Rondella alluminio / Aluminium washer	50.73.291.1
7	1	Distanziale in alluminio / Aluminium spacer	50.SS.454.1
8	1	Staffa / Bracket	50.SS.991.0
9	1	Dado M8 flangiato / Flanged nut M8	50.73.393.1
10	1	Dado M10 flangiato / Flanged nut M10	50.73.332.1
11	1	Rondella in alluminio nera / Black aluminium washer	50.73.330.1
12	1	Vite M10x60 / Screw M10x60	50.73.135.1
13	1	Tubo di raccordo / Link pipe	9773K045S2
14	1	Fascetta Ø 48/51 mm / Pipe clamp Ø 48/51 mm	50.FA.007.1
15	1	Molla media / Middle spring	50.73.359.1
16	1	Tubo in gomma per molla / Rubber pipe for spring	50.73.210.1



PARTI OPZIONALI / OPTIONAL PARTS



COVER IN ACCIAIO / STEEL COVER
50.CR.037.0



APPLICAZIONI / APPLICATIONS

CODICE / CODE	MUFFLER / SILENZIATORE	TUBO / PIPE	FASCETTA / CLAMP
K.045.L2S	CARBONIO / CARBON FIBER	INOX / ST. STEEL	INOX / ST. STEEL
K.045.L6S	TITANIO / TITANIUM		
K.045.LXB	STEEL BLACK		