



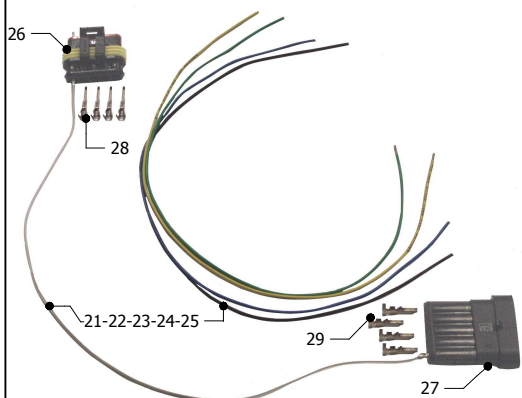
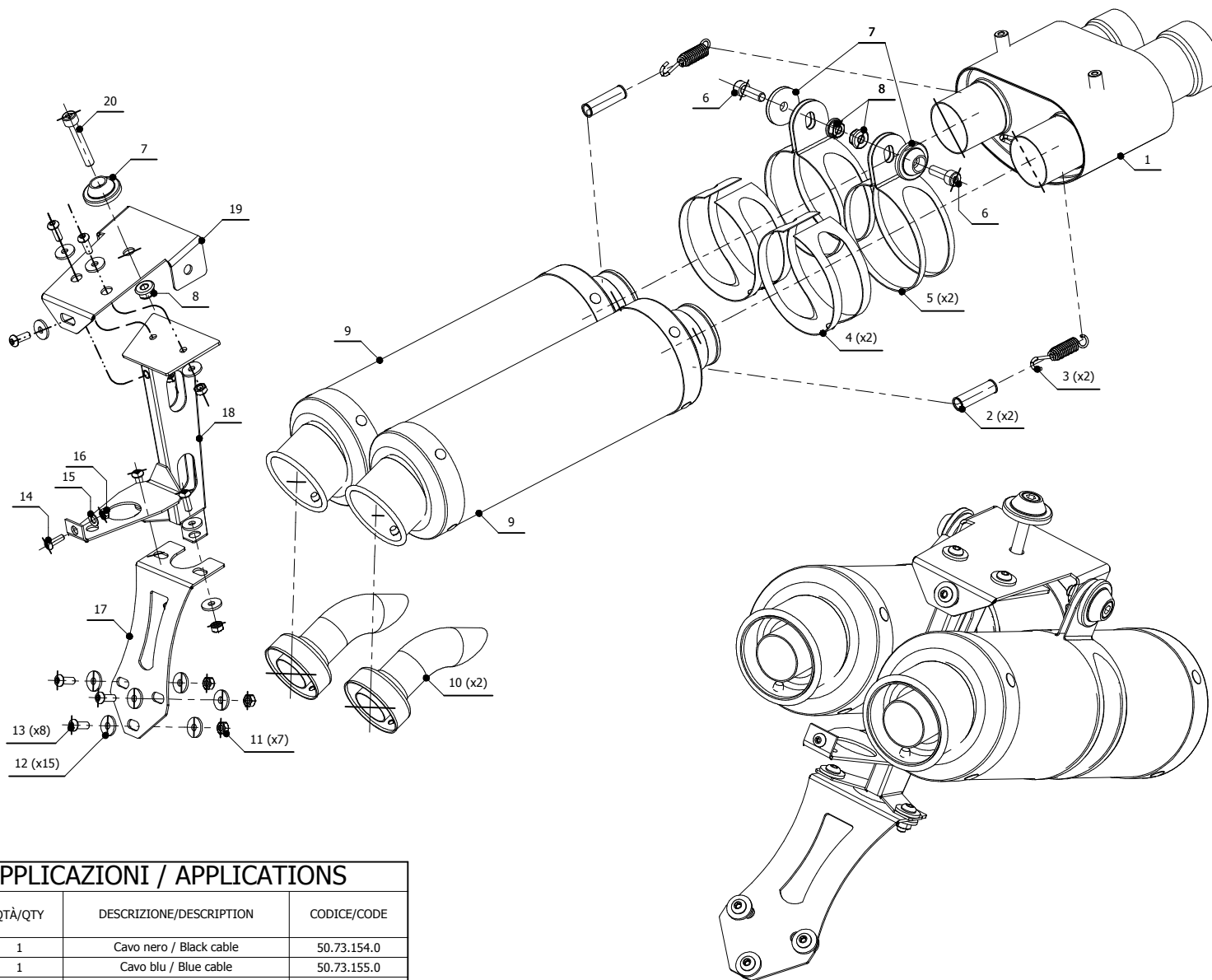
MODEL DUCATI 749
DUCATI 999
LINE SPORT

YEAR 2003-2006
2003-->
MUFFLER GP

SCHEMATIC

ELENCO PARTI / PARTS LIST

#	QTÀ / QTY	DESCRIZIONE / DESCRIPTION	CODICE / CODE
1	1	Tubo compensatore / Compensator pipe	9873UD007S2SA
2	2	Tubo per molla / Pipe for spring	50.73.210.1
3	2	Molla corta / Short Spring	50.73.123.1
4	2	Protezione per staffa / Bracket protection	50.73.040.1
5	2	Staffa / Bracket	50.SS.001.0
6	2	Vite M8x25 / Screw M8x25	50.73.064.1
7	3	Rondella in alluminio / Aluminium washer	50.73.063.1
8	3	Dado 8 MA flangiato / Flanged nut 8 MA	50.73.052.1
9	2	Silenziatore / Muffler	GP
10	2	DB killer / DB killer	50.DK.020.0
11	7	Dado M6 autobloccante / M6 locknut	50.73.112.1
12	15	Rondella M6 / Washer M6	50.73.187.1
13	8	Vite M6 x 16 / Screw M6 x 16	50.73.175.1
14	1	Vite M5 x 16 / Screw M5 x 16	50.73.350.1
15	1	Rondella M6 / Washer M6	50.72.027.1
16	1	Dado M5 / M5 nut	50.73.267.1
17	1	Portatarga / Number plate bracket	50.SS.161.C
18	1	Portatarga / Number plate bracket	50.SS.161.B
19	1	Staffa / Bracket	50.SS.161.A
20	1	Vite M8x50 / Screw M8x50	50.73.074.1



APPLICAZIONI / APPLICATIONS

#	QTÀ/QTY	DESCRIZIONE/DESCRIPTION	CODICE/CODE
21	1	Cavo nero / Black cable	50.73.154.0
22	1	Cavo blu / Blue cable	50.73.155.0
23	1	Cavo verde / Green cable	50.73.156.0
24	1	Cavo bianco / White cable	50.73.157.0
25	1	Cavo giallo / Yellow cable	50.73.158.0
26	1	Connettore maschio / Male connector	50.73.150.1
27	1	Connettore femmina / Female connector	50.73.151.1
28	5	Contatto maschio / Male pin	50.73.152.1
29	5	Contatto femmina / Female pin	50.73.153.1

APPLICAZIONI / APPLICATIONS

CODICE / CODE	TUBO / PIPE	SILENZIATORE / MUFFLER	FASCETTA / CLAMP	CODICE OMOL. / HOMOL. CODE
UD.007.L2S	INOX / ST. STEEL	CARBONIO / CARBON FIBER	INOX / ST. STEEL	ME035 e9 1289
UD.007.L6S	INOX / ST. STEEL	TITANIO / TITANIUM	INOX / ST. STEEL	ME035 e9 1289