



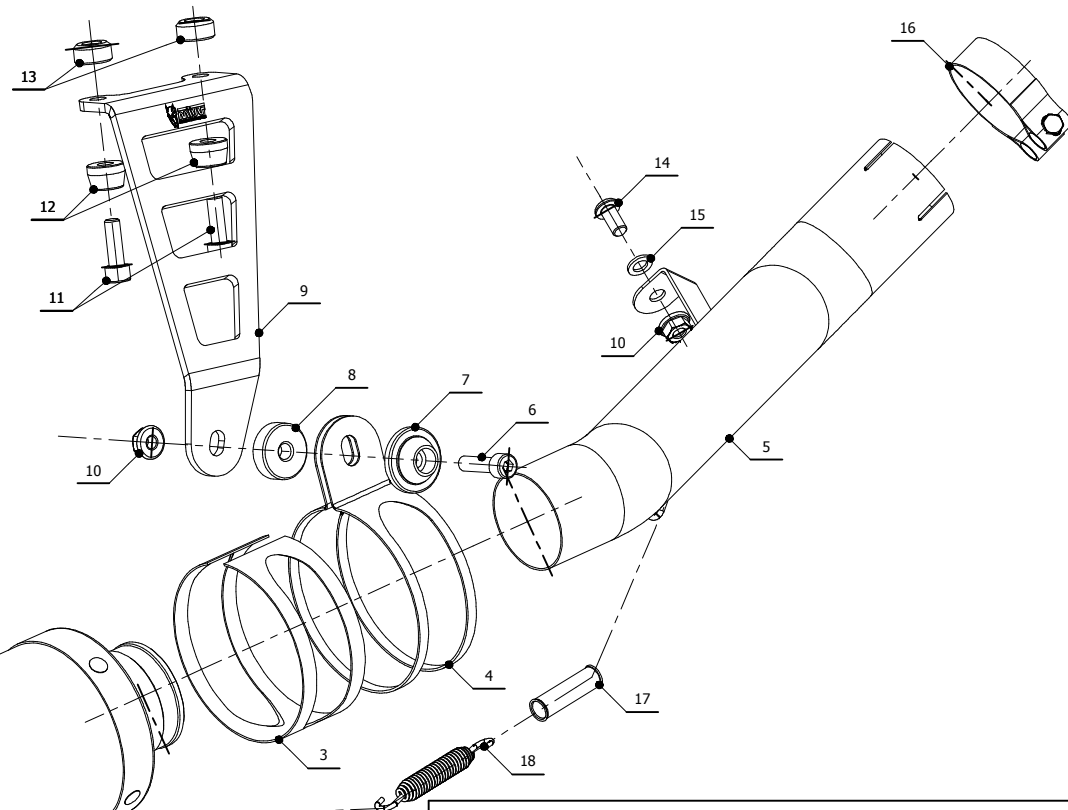
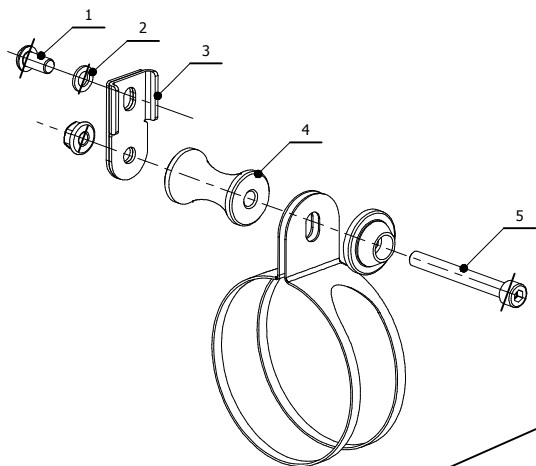
**MODEL** APRILIA RSV4 APRC  
APRILIA TUONO V4 APRC  
**LINE** SPORT

**YEAR** 2011-->  
2011-->  
**MUFFLER** GP

**SCHEMATIC**

**KIT PEDANA ORIGINALE / ORIGINAL FOOTREST KIT**

#	QTÀ / QTY	DESCRIZIONE / DESCRIPTION	CODICE / CODE
1	1	Vite M8 x 16 / Screw M8 x 16	50.73.098.1
2	1	Rondella M8 / Washer M8	50.73.270.1
3	1	Staffa / Bracket	50.SS.581.0
4	1	Distanziale in alluminio / Aluminium spacer	50.SS.150.1
5	1	Vite M8x70 / Screw M8x70	50.73.086.1



**ELENCO PARTI / PARTS LIST**

#	QTÀ / QTY	DESCRIZIONE / DESCRIPTION	CODICE / CODE
1	1	DB killer / DB killer	50.DK.020.0
2	1	Silenziatore / Muffler	GP
3	1	Protezione per staffa / Rubber protection	50.73.040.1
4	1	Staffa / Bracket	50.SS.001.0
5	1	Tubo di raccordo / Link pipe	9773A008S2
6	1	Vite M8x30 / Screw M8x30	50.73.219.1
7	1	Rondella in alluminio / Aluminium washer	50.73.063.1
8	1	Distanziale in alluminio / Aluminium spacer	50.SS.645.1
9	1	Staffa / Bracket	50.SS.623.0
10	2	Dado 8 MA flangiato / Flanged nut 8 MA	50.73.052.1
11	2	Vite M8x25 / Screw M8x25	50.73.064.1
12	2	Rondella in alluminio / Aluminium washer	50.73.248.1
13	2	Distanziale in alluminio / Aluminium spacer	50.SS.070.1
14	1	Vite M8 x 16 / Screw M8 x 16	50.73.098.1
15	1	Rondella M8 / Washer M8	50.73.270.1
16	1	Fascetta Ø 56/59 mm / Pipe clamp Ø 56/59 mm	50.FA.009.1
17	1	Tubo in gomma per molla / Rubber pipe for spring	50.73.210.1
18	1	Molla media / Middle spring	50.73.359.1

**APPLICAZIONI / APPLICATIONS**

CODICE / CODE	TUBO / PIPE	MUFFLER / SILENZIATORE	FASCETTA / CLAMP	CODICE OMOL. / HOMOL. CODE
A.009.L2S	INOX / ST. STEEL	CARBONIO / CARBON FIBER	INOX / ST. STEEL	ME008 e9 1176
A.009.L6S	INOX / ST. STEEL	TITANIO / TITANIUM	INOX / ST. STEEL	ME008 e9 1176