



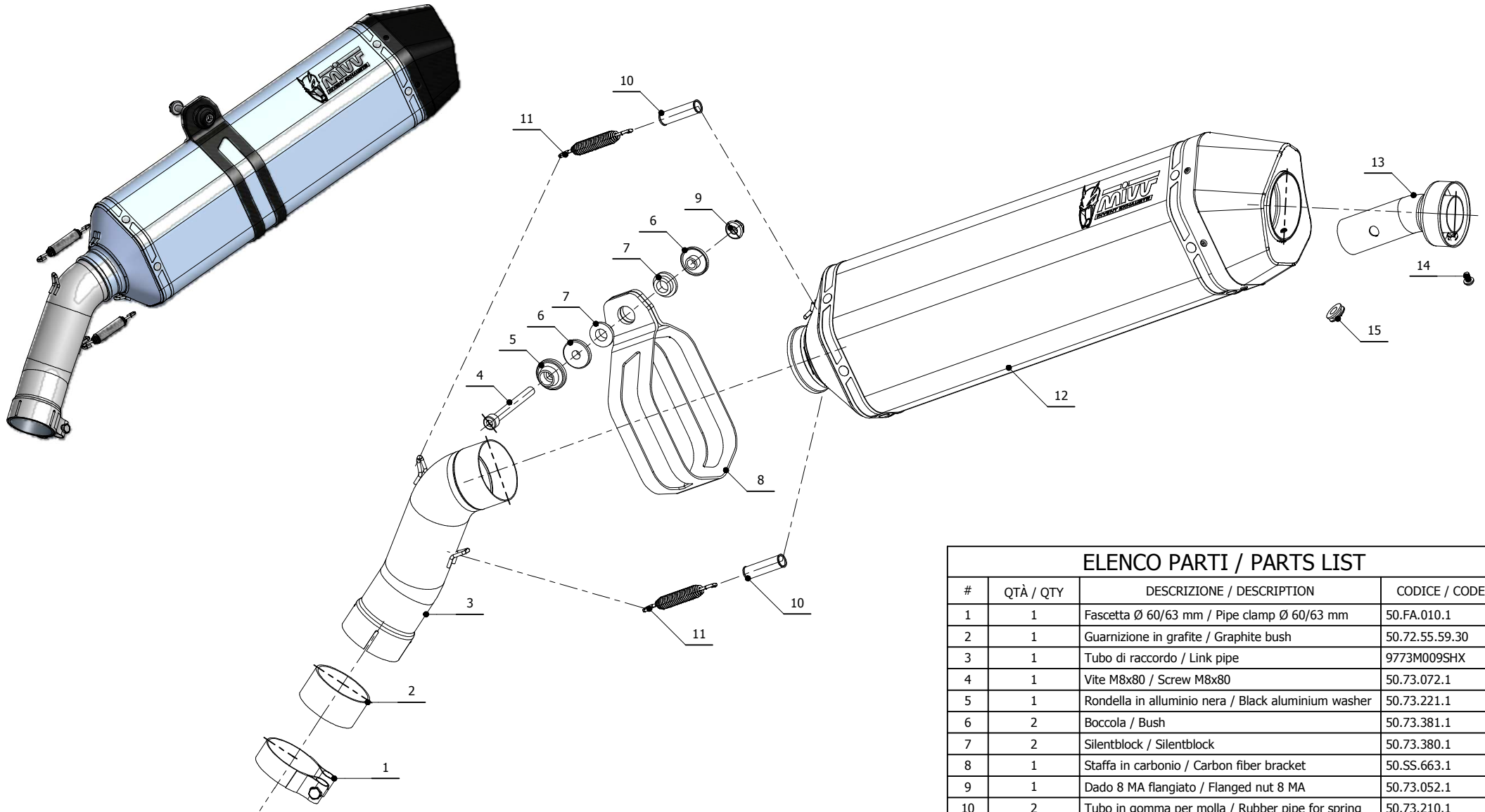
MODEL MOTO GUZZI STELVIO / NTX

YEAR 2008-->

LINE SPORT

MUFFLER SPEED EDGE

SCHEMATIC



ELENCO PARTI / PARTS LIST

#	QTÀ / QTY	DESCRIZIONE / DESCRIPTION	CODICE / CODE
1	1	Fascetta Ø 60/63 mm / Pipe clamp Ø 60/63 mm	50.FA.010.1
2	1	Guarnizione in grafite / Graphite bush	50.72.55.59.30
3	1	Tubo di raccordo / Link pipe	9773M009SHX
4	1	Vite M8x80 / Screw M8x80	50.73.072.1
5	1	Rondella in alluminio nera / Black aluminium washer	50.73.221.1
6	2	Boccola / Bush	50.73.381.1
7	2	Silentblock / Silentblock	50.73.380.1
8	1	Staffa in carbonio / Carbon fiber bracket	50.SS.663.1
9	1	Dado 8 MA flangiato / Flanged nut 8 MA	50.73.052.1
10	2	Tubo in gomma per molla / Rubber pipe for spring	50.73.210.1
11	2	Molla media / Middle spring	50.73.359.1
12	1	Silenziatore / Muffler	9773SEIX00010
13	1	DB killer / DB killer	50.DK.068.0
14	1	Vite M5 x 8 / Screw M5 x 8	50.73.459.1
15	1	Tappo in gomma / Rubber stopper	50.73.266.1

APPLICAZIONI / APPLICATIONS

CODICE / CODE	TUBO / PIPE	SILENZIATORE / MUFFLER	FASCETTA / CLAMP	CODICE OMOL. / HOMOL. CODE
M.009.LHX	INOX / ST. STEEL	INOX (COPPE CARBONIO) / ST. STEEL (CARBON CAPS)	CARBONIO / CARBON FIBER	ME002 e9 1177