



**MODEL** MOTO GUZZI BREVA 1100

**YEAR** 2005-->

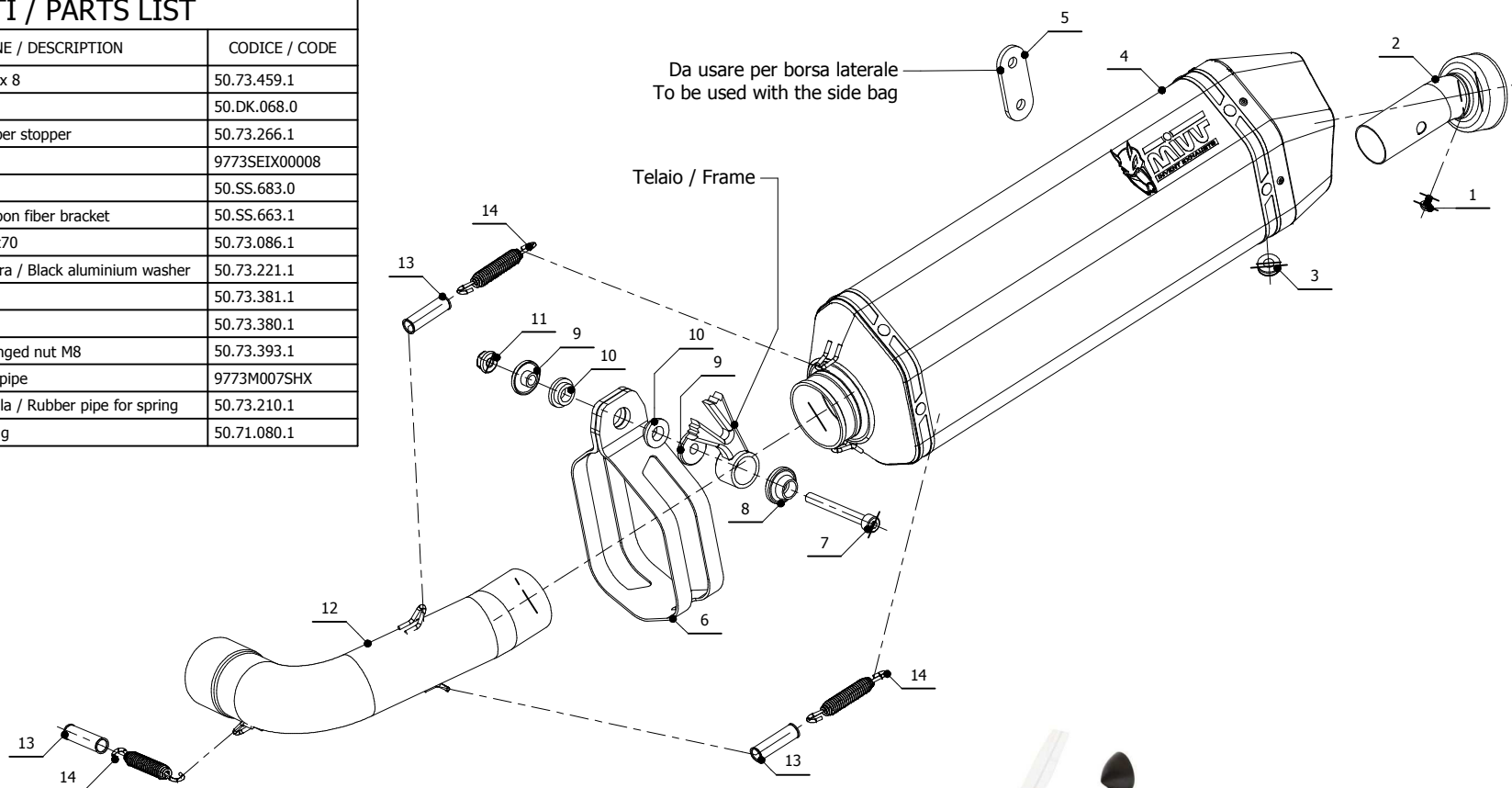
**LINE** SPORT

**MUFFLER** SPEED EDGE

**SCHEMATIC**

**ELENCO PARTI / PARTS LIST**

#	QTÀ / QTY	DESCRIZIONE / DESCRIPTION	CODICE / CODE
1	1	Vite M5 x 8 / Screw M5 x 8	50.73.459.1
2	1	DB killer / DB killer	50.DK.068.0
3	1	Tappo in gomma / Rubber stopper	50.73.266.1
4	1	Silenziatore / Muffler	9773SEIX00008
5	1	Staffa / Bracket	50.SS.683.0
6	1	Staffa in carbonio / Carbon fiber bracket	50.SS.663.1
7	1	Vite M8x70 / Screw M8x70	50.73.086.1
8	1	Rondella in alluminio nera / Black aluminium washer	50.73.221.1
9	2	Boccola / Bush	50.73.381.1
10	2	Silentblock / Silentblock	50.73.380.1
11	1	Dado M8 flangiato / Flanged nut M8	50.73.393.1
12	1	Tubo di raccordo / Link pipe	9773M007SHX
13	3	Tubo in gomma per molla / Rubber pipe for spring	50.73.210.1
14	3	Molla lunga / Long spring	50.71.080.1



Da usare per borsa laterale  
To be used with the side bag

Telaio / Frame



**APPLICAZIONI / APPLICATIONS**

CODICE / CODE	TUBO / PIPE	SILENZIATORE / MUFFLER	FASCETTA / CLAMP	CODICE OMOL. / HOMOL. CODE
M.007.LHX	INOX / ST. STEEL	INOX (COPPE CARBONIO) / ST. STEEL (CARBON CAPS)	CARBONIO / CARBON FIBER	ME008 e9 1176