



MODEL YAMAHA T-MAX 500

YEAR 2008-2011

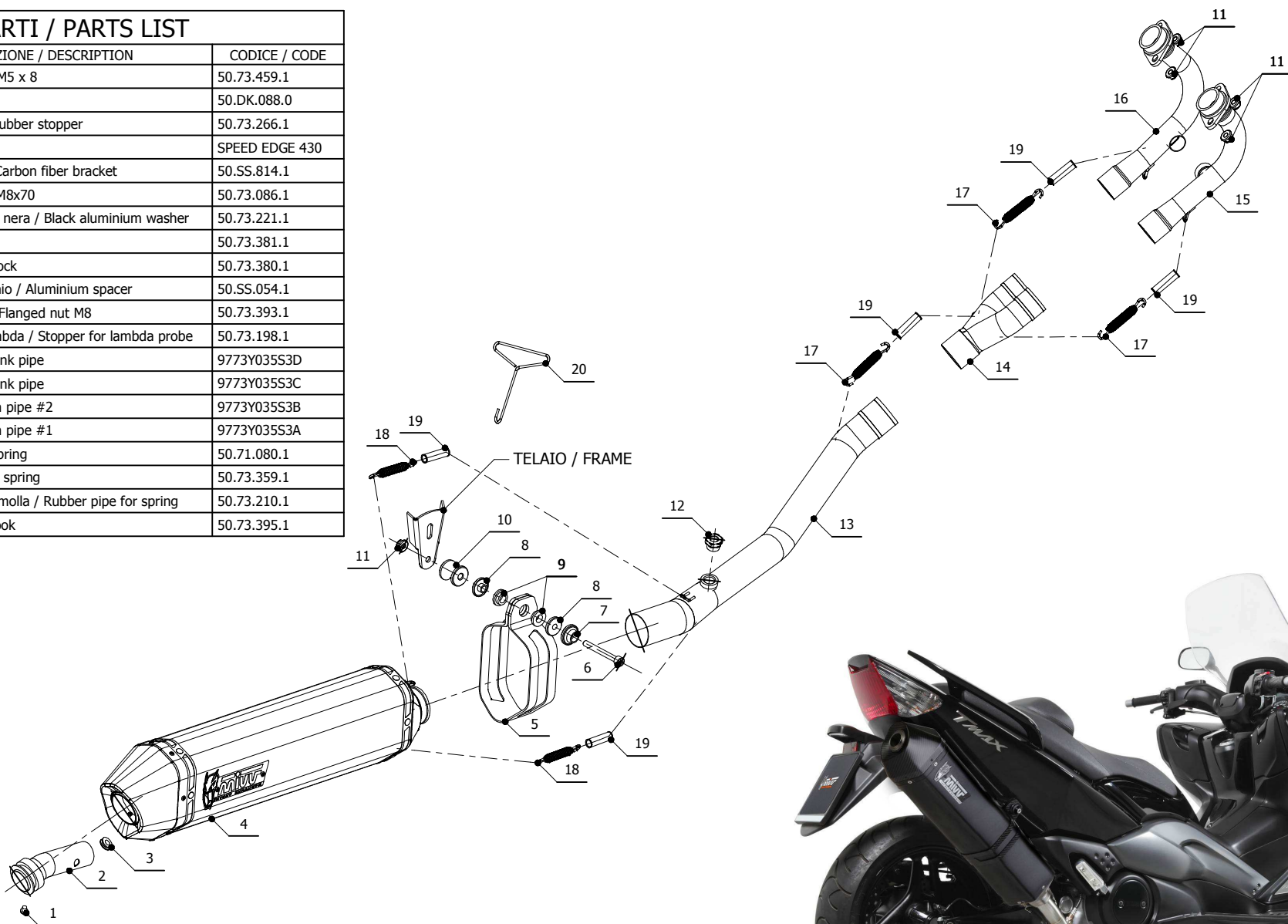
LINE SPORT

MUFFLER SPEED EDGE

SCHEMATIC

ELENCO PARTI / PARTS LIST

#	QTÀ / QTY	DESCRIZIONE / DESCRIPTION	CODICE / CODE
1	1	Vite M5 x 8 / Screw M5 x 8	50.73.459.1
2	1	DB killer / DB killer	50.DK.088.0
3	1	Tappo in gomma / Rubber stopper	50.73.266.1
4	1	Silenziatore / Muffler	SPEED EDGE 430
5	1	Staffa in carbonio / Carbon fiber bracket	50.SS.814.1
6	1	Vite M8x70 / Screw M8x70	50.73.086.1
7	1	Rondella in alluminio nera / Black aluminium washer	50.73.221.1
8	2	Boccola / Bush	50.73.381.1
9	2	Silentblock / Silentblock	50.73.380.1
10	1	Distanziale in alluminio / Aluminium spacer	50.SS.054.1
11	5	Dado M8 flangiato / Flanged nut M8	50.73.393.1
12	1	Tappo per sonda lambda / Stopper for lambda probe	50.73.198.1
13	1	Tubo di raccordo / Link pipe	9773Y035S3D
14	1	Tubo di raccordo / Link pipe	9773Y035S3C
15	1	Collettore #2 / Down pipe #2	9773Y035S3B
16	1	Collettore #1 / Down pipe #1	9773Y035S3A
17	3	Molla lunga / Long spring	50.71.080.1
18	2	Molla media / Middle spring	50.73.359.1
19	5	Tubo in gomma per molla / Rubber pipe for spring	50.73.210.1
20	1	Tiramolla / Spring hook	50.73.395.1



APPLICAZIONI / APPLICATIONS

CODICE / CODE	TUBO / PIPE	SILENZIATORE / MUFFLER	FASCETTA / CLAMP	CODICE OMOL. / HOMOL. CODE
Y.035.LRX	INOX / ST. STEEL	INOX (COPPE CARBONIO) / ST. STEEL (CARBON CAPS)	CARBONIO / CARBON FIBER	ME041 e9 1309
Y.035.LRB	INOX / ST. STEEL	STEEL BLACK	CARBONIO / CARBON FIBER	ME041 e9 1309