



MODEL SUZUKI BURGMAN 400

YEAR 2006-->

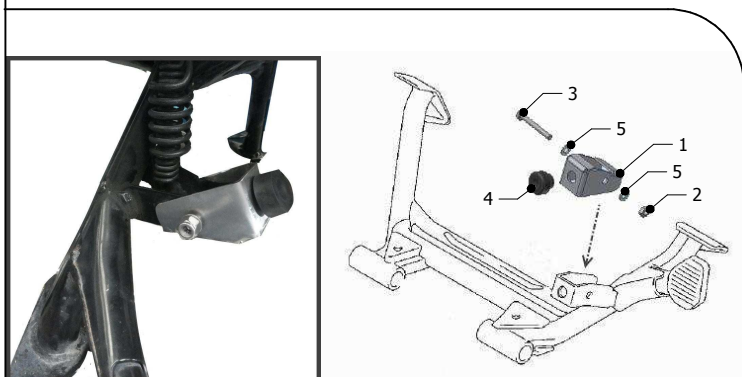
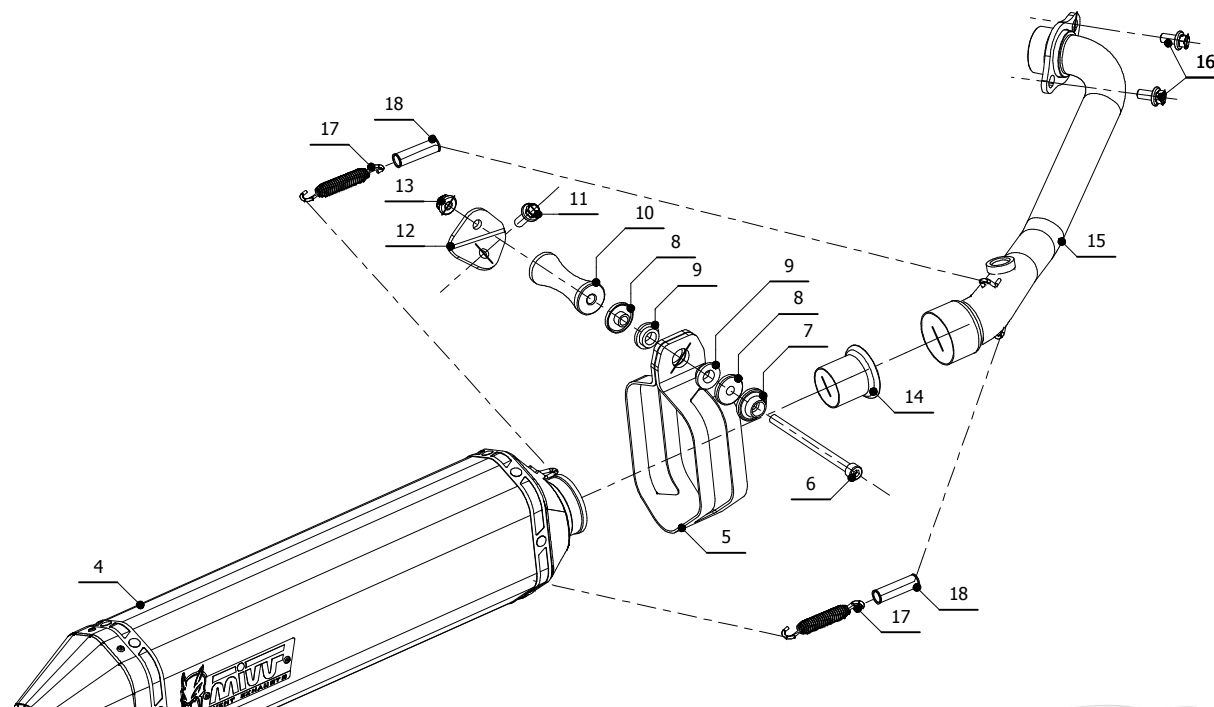
LINE SPORT

MUFFLER SPEED EDGE

SCHEMATIC

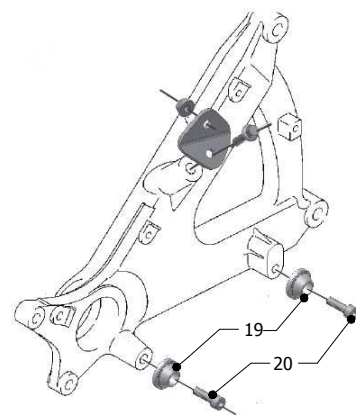
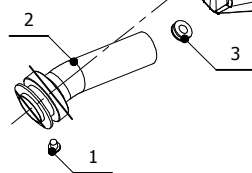
ELENCO PARTI / PARTS LIST

#	QTÀ / QTY	DESCRIZIONE / DESCRIPTION	CODICE / CODE
1	1	Vite M5 x 8 / Screw M5 x 8	50.73.459.1
2	1	DB killer / DB killer	50.DK.090.0
3	1	Tappo in gomma / Rubber stopper	50.73.266.1
4	1	Silenziatore / Muffler	SPEED EDGE 430
5	1	Staffa in carbonio / Carbon fiber bracket	50.SS.814.1
6	1	Vite M8x120 / Screw M8 x 120	50.73.172.1
7	1	Rondella in alluminio nera / Black aluminium washer	50.73.221.1
8	2	Boccola / Bush	50.73.381.1
9	2	Silentblock / Silentblock	50.73.380.1
10	1	Distanziale in alluminio / Aluminium spacer (Øe.30 Øi.8,5 h.75)	50.SS.741.1
11	1	Vite M8x25 / Screw M8x25	50.73.599.1
12	1	Staffa / Bracket	50.SS.723.0
13	1	Dado M8 flangiato / Flanged nut M8	50.73.393.1
14	1	DB killer / DB killer	50.DK.080.0
15	1	Tubo di raccordo / Link pipe	9773S039SHX
16	2	Vite M8x16 / Screw M8x16	50.73.006.1
17	2	Molla media / Middle spring	50.73.359.1
18	2	Tubo in gomma per molla / Rubber pipe for spring	50.73.210.1
19	2	Rondella alluminio / Aluminium washer	50.73.291.1
20	2	Vite M8x25 / Screw M8x25	50.73.064.1



PARTI CAVALLETTO / CENTERSTAND PARTS

#	QTÀ / QTY	DESCRIZIONE / DESCRIPTION	CODICE / CODE
1	1	Staffa / Bracket	50.F.056.0
2	1	Dado M6 autobloccante / M6 locknut	50.73.112.1
3	1	Vite M6x45 / Screw M6 x 45	50.73.726.1
4	1	Gommino paracolpi / Rubber buffer	50.72.010.1
5	2	Rondella M6 / Washer M6	50.72.027.1



APPLICAZIONI / APPLICATIONS

CODICE / CODE	TUBO / PIPE	SILENZIATORE / MUFFLER	FASCETTA / CLAMP	CODICE OMOL. / HOMOL. CODE
S.039.LRB	INOX / ST. STEEL	STEEL BLACK	CARBONIO / CARBON FIBER	ME041 e9 1309