



MODEL CAN-AM SPYDER 1000

YEAR 2007-->

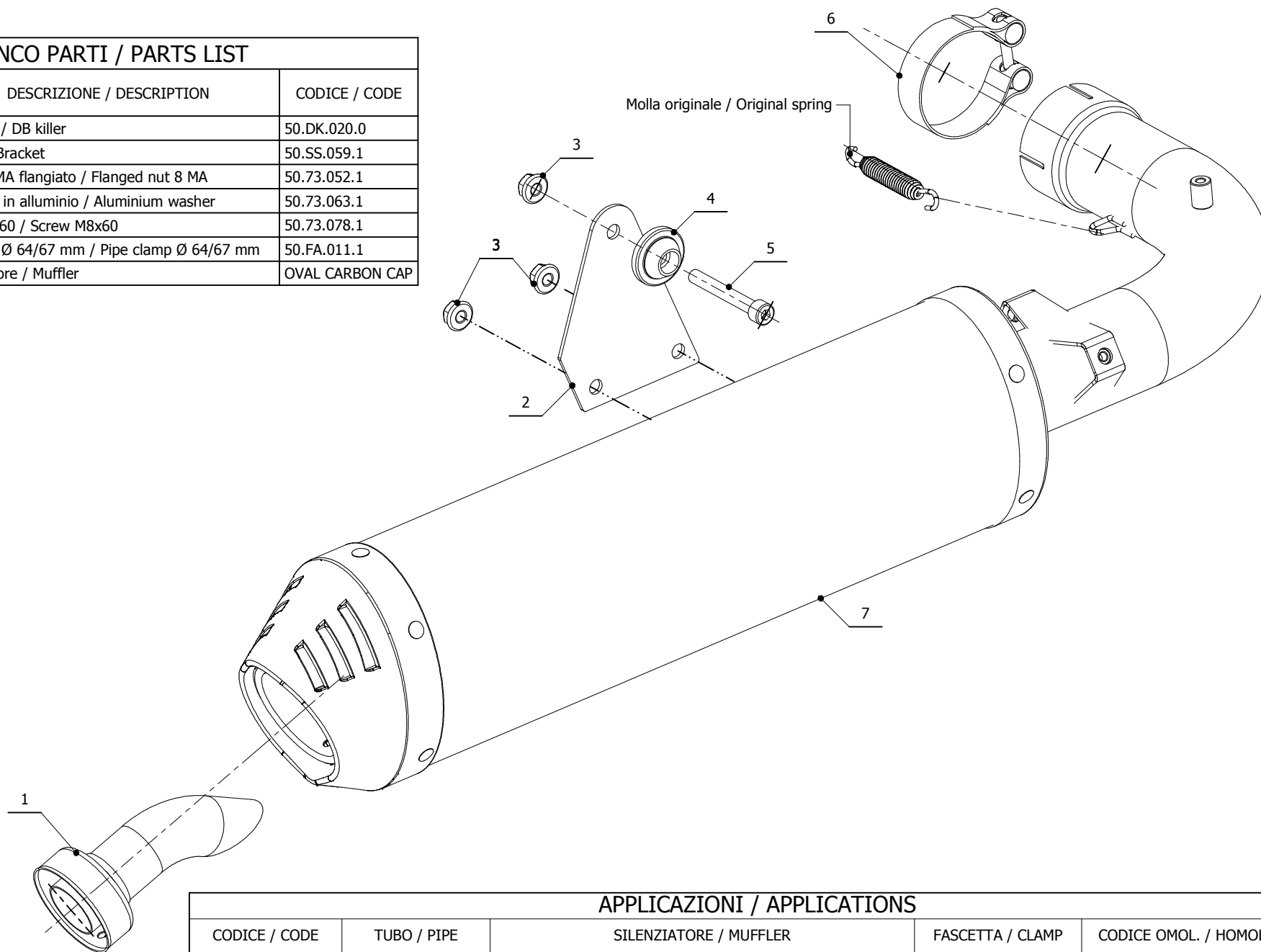
LINE SPORT

MUFFLER OVAL CARBON CAP

SCHEMATIC

ELENCO PARTI / PARTS LIST

| # | QTÀ / QTY | DESCRIZIONE / DESCRIPTION | CODICE / CODE |
|---|-----------|---|-----------------|
| 1 | 1 | DB killer / DB killer | 50.DK.020.0 |
| 2 | 1 | Staffa / Bracket | 50.SS.059.1 |
| 3 | 3 | Dado 8 MA flangiato / Flanged nut 8 MA | 50.73.052.1 |
| 4 | 1 | Rondella in alluminio / Aluminium washer | 50.73.063.1 |
| 5 | 1 | Vite M8x60 / Screw M8x60 | 50.73.078.1 |
| 6 | 1 | Fascetta Ø 64/67 mm / Pipe clamp Ø 64/67 mm | 50.FA.011.1 |
| 7 | 1 | Silenziatore / Muffler | OVAL CARBON CAP |



APPLICAZIONI / APPLICATIONS

| CODICE / CODE | TUBO / PIPE | SILENZIATORE / MUFFLER | FASCETTA / CLAMP | CODICE OMOL. / HOMOL.CODE |
|---------------|-----------------|--|------------------|---------------------------|
| Q.BO.005.SNC | INOX / ST.STEEL | TITANIO (COPPA CARBONIO) / TITANIUM (CARBON CAP) | /// | /// |