



MODEL YAMAHA T-MAX 530

YEAR 2017-->

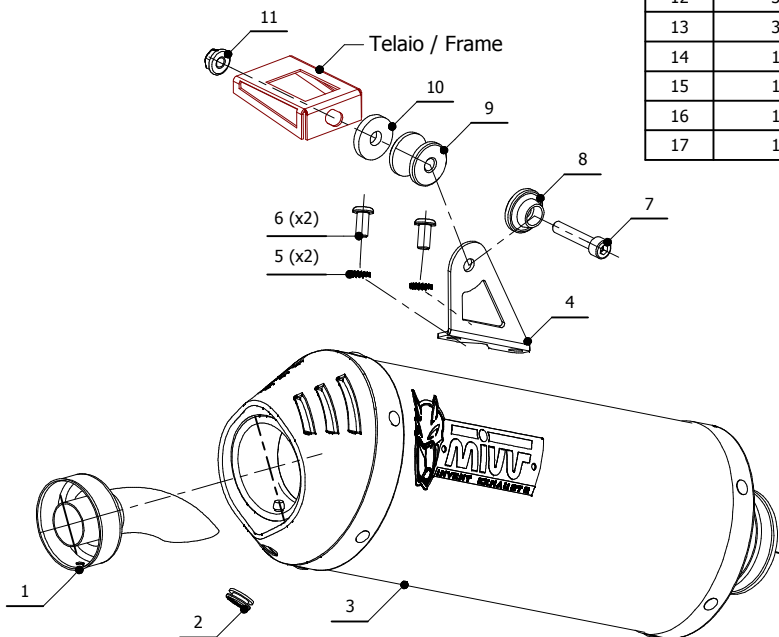
LINE FULL SYSTEM

MUFFLER OVAL CARBON CAP

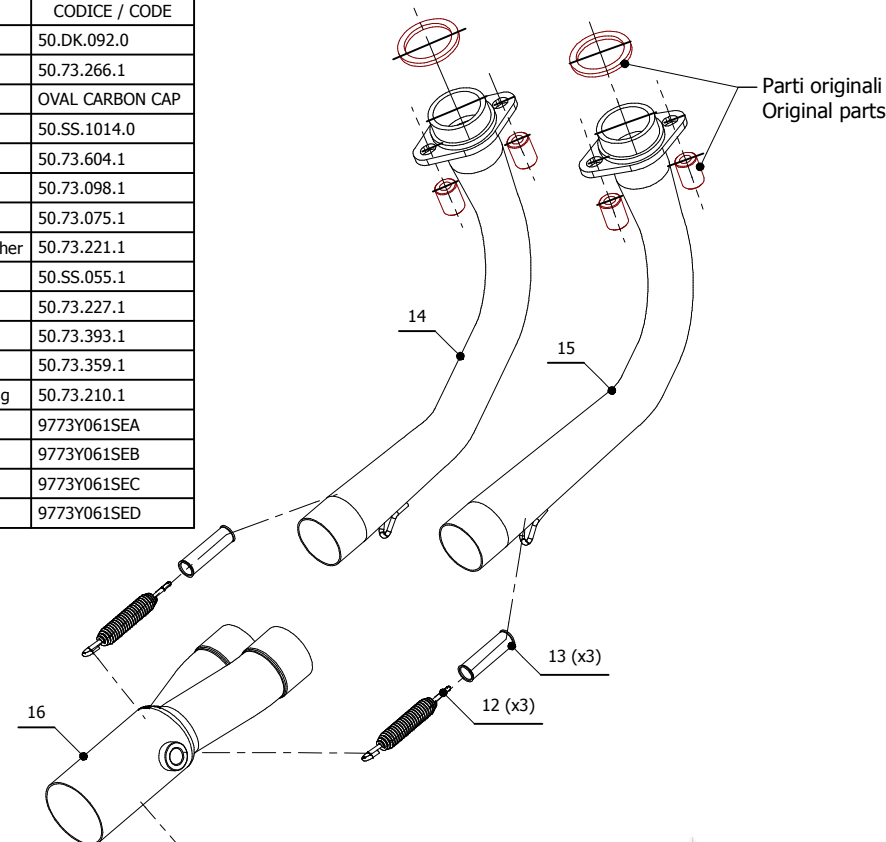
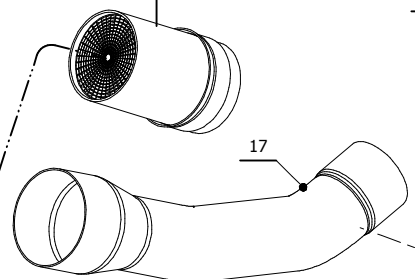
SCHEMATIC

ELENCO PARTI / PARTS LIST

#	QTÀ / QTY	DESCRIZIONE / DESCRIPTION	CODICE / CODE
1	1	DB killer / DB killer	50.DK.092.0
2	1	Tappo in gomma / Rubber stopper	50.73.266.1
3	1	Silenziatore / Muffler L.360	OVAL CARBON CAP
4	1	Staffa / Bracket	50.SS.1014.0
5	2	Rondella di sicurezza / Safety washer	50.73.604.1
6	2	Vite M8 x 16 / Screw M8 x 16	50.73.098.1
7	1	Vite M8x40 / Screw M8x40	50.73.075.1
8	1	Rondella in alluminio nera / Black aluminium washer	50.73.221.1
9	1	Distanziale in alluminio / Aluminium spacer	50.SS.055.1
10	1	Rondella in gomma / Rubber washer	50.73.227.1
11	1	Dado M8 flangiato / Flanged nut M8	50.73.393.1
12	3	Molla media / Middle spring	50.73.359.1
13	3	Tube in gomma per molla / Rubber pipe for spring	50.73.210.1
14	1	Collettore #1 / Down pipe #1	9773Y061SEA
15	1	Collettore #2 / Down pipe #2	9773Y061SEB
16	1	Tubo di raccordo / Link pipe	9773Y061SEC
17	1	Tubo di raccordo / Link pipe	9773Y061SED



Catalytic Converter
Cod. ACC.045.A1
Optional for Y.061.LNC-Y.061.LVC
Included in Y.061.KNC-Y.061.KVC



APPLICAZIONI / APPLICATIONS

CODICE / CODE	SILENZIATORE / MUFFLER	TUBO / PIPE	NOTE
Y.061.LNC Y.061.LVC	TITANIO (COPPA CARBONIO) / TITANIUM (CARBON CAP) STEEL BLACK	INOX / ST.STEEL	CATALYTIC CONVERTER NOT INCLUDED
Y.061.KNC Y.061.KVC	TITANIO (COPPA CARBONIO) / TITANIUM (CARBON CAP) STEEL BLACK	INOX / ST.STEEL	CATALYTIC CONVERTER INCLUDED

