



**MODEL** HONDA XRV 750 AFRICA TWIN

**YEAR** 1993-->

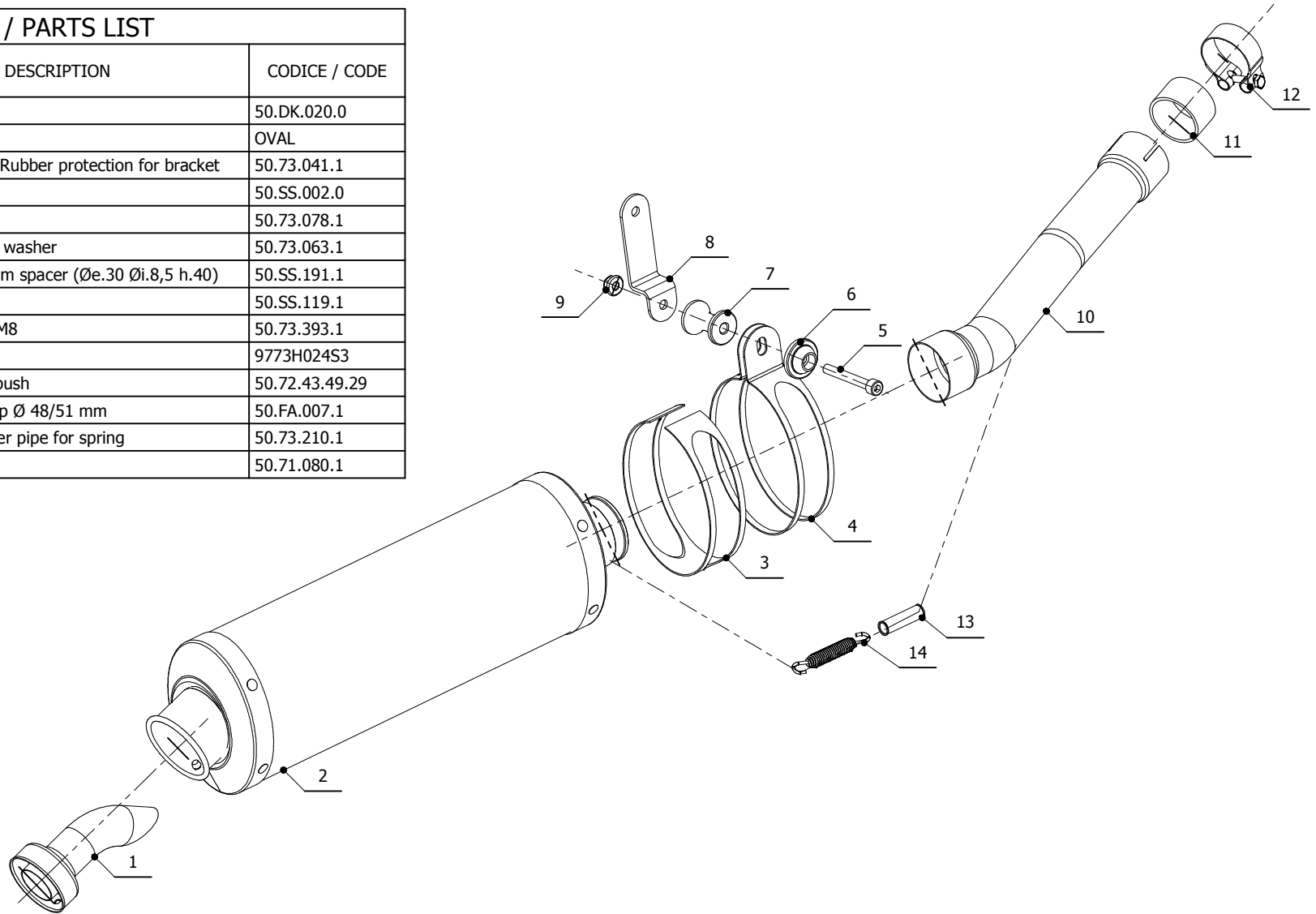
**LINE** SPORT

**MUFFLER** OVAL

**SCHEMATIC**

**ELENCO PARTI / PARTS LIST**

| #  | QTÀ / QTY | DESCRIZIONE / DESCRIPTION                                       | CODICE / CODE  |
|----|-----------|---|----------------|
| 1  | 1         | DB killer / DB killer   | 50.DK.020.0    |
| 2  | 1         | Silenziatore / Muffler  | OVAL           |
| 3  | 1         | Protezione in gomma per staffa / Rubber protection for bracket  | 50.73.041.1    |
| 4  | 1         | Staffa / Bracket  | 50.SS.002.0    |
| 5  | 1         | Vite M8x60 / Screw M8x60  | 50.73.078.1    |
| 6  | 1         | Rondella in alluminio / Aluminium washer                        | 50.73.063.1    |
| 7  | 1         | Distanziale in alluminio / Aluminium spacer (Øe.30 Øi.8,5 h.40) | 50.SS.191.1    |
| 8  | 1         | Staffa / Bracket  | 50.SS.119.1    |
| 9  | 1         | Dado M8 flangiato / Flanged nut M8                              | 50.73.393.1    |
| 10 | 1         | Tubo di raccordo / Link pipe                                    | 9773H024S3     |
| 11 | 1         | Guarnizione in grafite / Graphite bush                          | 50.72.43.49.29 |
| 12 | 1         | Fascetta Ø 48/51 mm / Pipe clamp Ø 48/51 mm                     | 50.FA.007.1    |
| 13 | 1         | Tubo in gomma per molla / Rubber pipe for spring                | 50.73.210.1    |
| 14 | 1         | Molla lunga / Long spring                                       | 50.71.080.1    |



**APPLICAZIONI / APPLICATIONS**

| CODICE / CODE | TUBO / PIPE      | SILENZIATORE / MUFFLER  | FASCETTA / CLAMP | CODICE OMOL. / HOMOL. CODE |
|---------------|------------------|-------------------------|------------------|----------------------------|
| H.024.LE      | INOX / ST. STEEL | CARBONIO / CARBON FIBER | INOX / ST. STEEL | ME002 e9 1177              |
| H.024.LN      | INOX / ST. STEEL | TITANIO / TITANIUM      | INOX / ST. STEEL | ME002 e9 1177              |