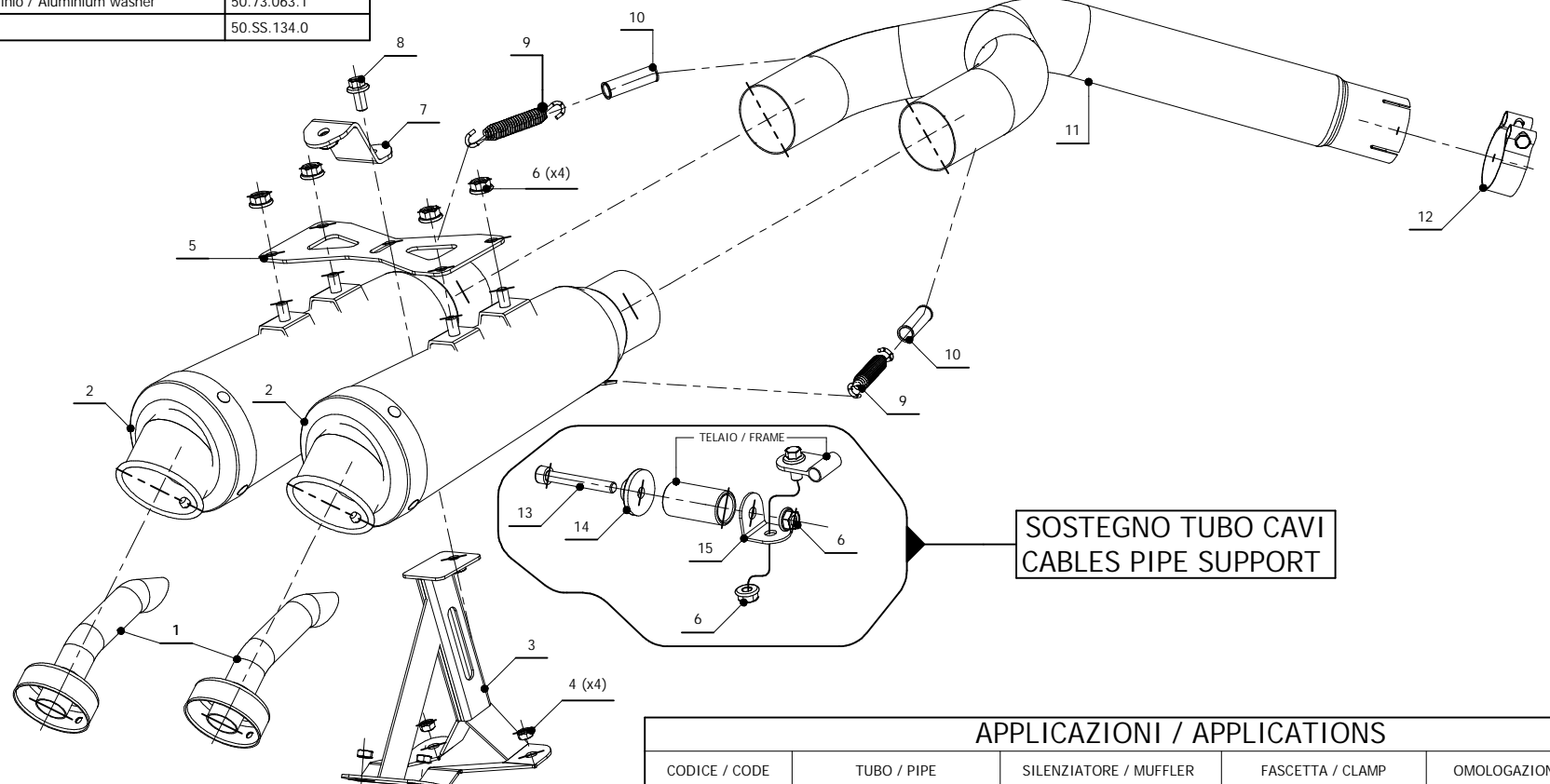
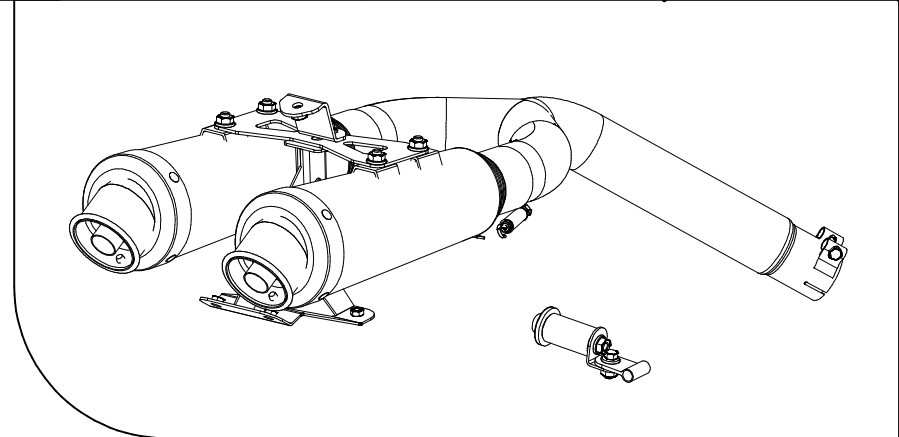


ELENCO PARTI / PARTS LIST

#	QTA / QTY	DESCRIZIONE / DESCRIPTION	CODICE / CODE
1	2	DB killer / DB killer	50.DK.021.0
2	2	Silenziatore / Muffler	X-cone
3	1	Portatarga / Number plate bracket	50.73.147.0
4	4	Dado M6 autobloccante / M6 locknut	50.73.112.1
5	1	Staffa / Bracket	50.SS.092.1
6	6	Dado 8 MA flangiato / Flanged nut 8 MA	50.73.052.1
7	1	Staffa / Bracket	50.SS.093.1
8	1	Vite M8x16 / Screw M8x16	50.73.006.1
9	2	Molla / Spring	50.71.080.1
10	2	Tubo in gomma per molla / Rubber pipe for spring	50.73.210.1
11	1	Tubo di raccordo / Link pipe	9773UD015SE
12	1	Fascetta Ø 47/51mm / Pipe clamp Ø 47/51mm	50.FA.007.1
13	1	Vite M8x60 / Screw M8x60	50.73.078.1
14	1	Rondella in alluminio / Aluminium washer	50.73.063.1
15	1	Staffa / Bracket	50.SS.134.0



SOSTEGNO TUBO CAVI / CABLES PIPE SUPPORT

APPLICAZIONI / APPLICATIONS

CODICE / CODE	TUBO / PIPE	SILENZIATORE / MUFFLER	FASCETTA / CLAMP	OMOLOGAZIONE / HOMOLOGATION
UD.015.LC3	INOX / STAINLESS STEEL	INOX / STAINLESS STEEL	INOX / STAINLESS STEEL	OMOLOGATO / HOMOLOGATED