



Fitting Instruction

Part-No. : **118T046**
Product : **Rear Set, adjustable**
Vehicle Manufacturer : **Triumph**
Model (Type) : **Speed Triple w/ ABS 2011 →**

Important:

Read this instruction manual carefully and mind all warnings and tips. You should do this work only if you're qualified; otherwise we recommend this mounting to be done by a qualified workshop. Improperly mounting of this kit can reduce the driveability of the motorcycle and may be a risk to your health and life. Test brake and gear shifting indoor, after installing rear set. If anything is not operating properly or braking efficiency is poor, testing on the road may result in death or serious injury!

Special works are marked with the following signs. Please take special care on these works.



Warning! Important mounting instruction. It shows risks to your life and health.



Tips for mounting and maintenance or to avoid damage.

Fitting:

Remove stock rear sets. The following parts will be used for your new rear set: brake cylinder with reservoir



Rear sets are delivered pre-assembled! All fastening elements, which are not used for mounting or adjusting the rear set, are fitted with tightening torque and bolt adhesive. Those fastening elements are not mentioned in this instruction. All mentioned fasteners, which are not secured by counter- or self-locking nuts, should be installed with medium bolt adhesive (e.g. Loctite 243).

The tightening torques for connections to the frame refers to the manufacturer's instructions. Use the following torques for all the other bolted connections:

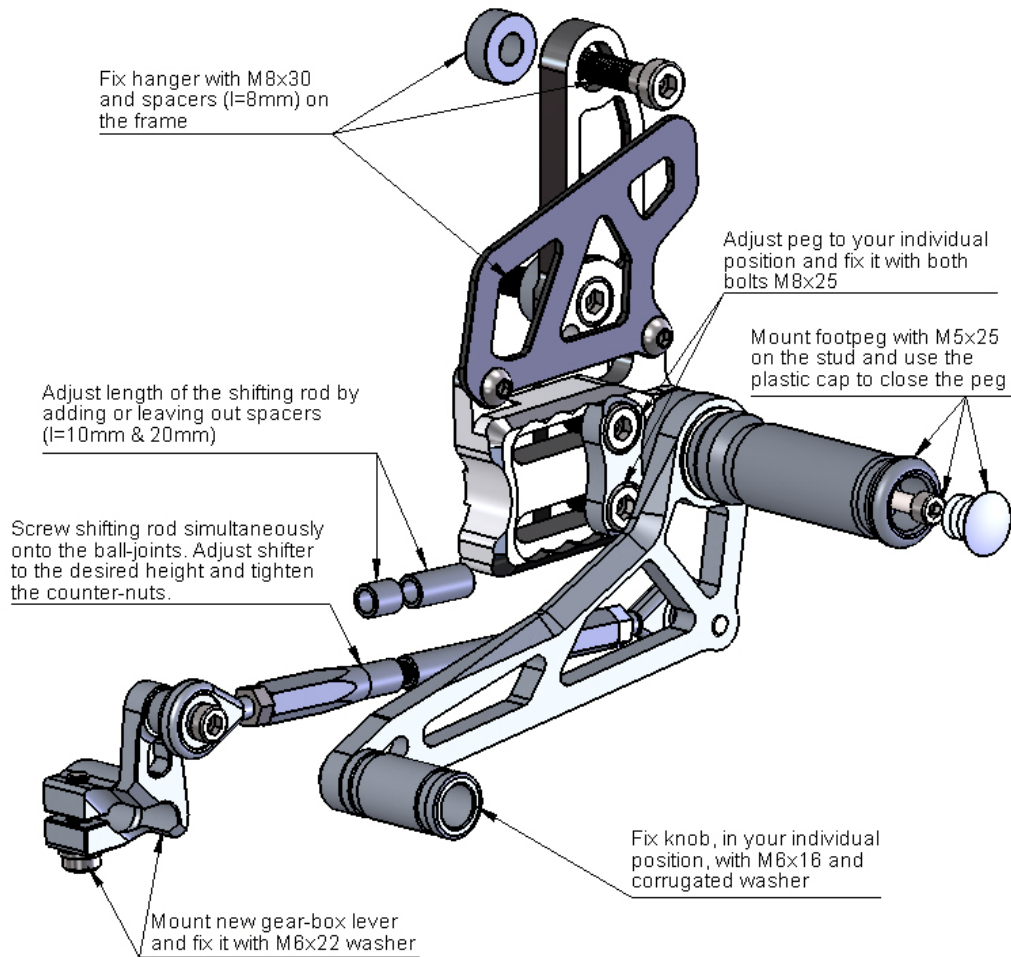
M5	=	6Nm	=	4.43lbf ft
M6	=	10Nm	=	7.38lbf ft
M8	=	20Nm	=	14.75lbf ft
M10x1,25	=	30Nm	=	22.13lbf ft

Maintenance:

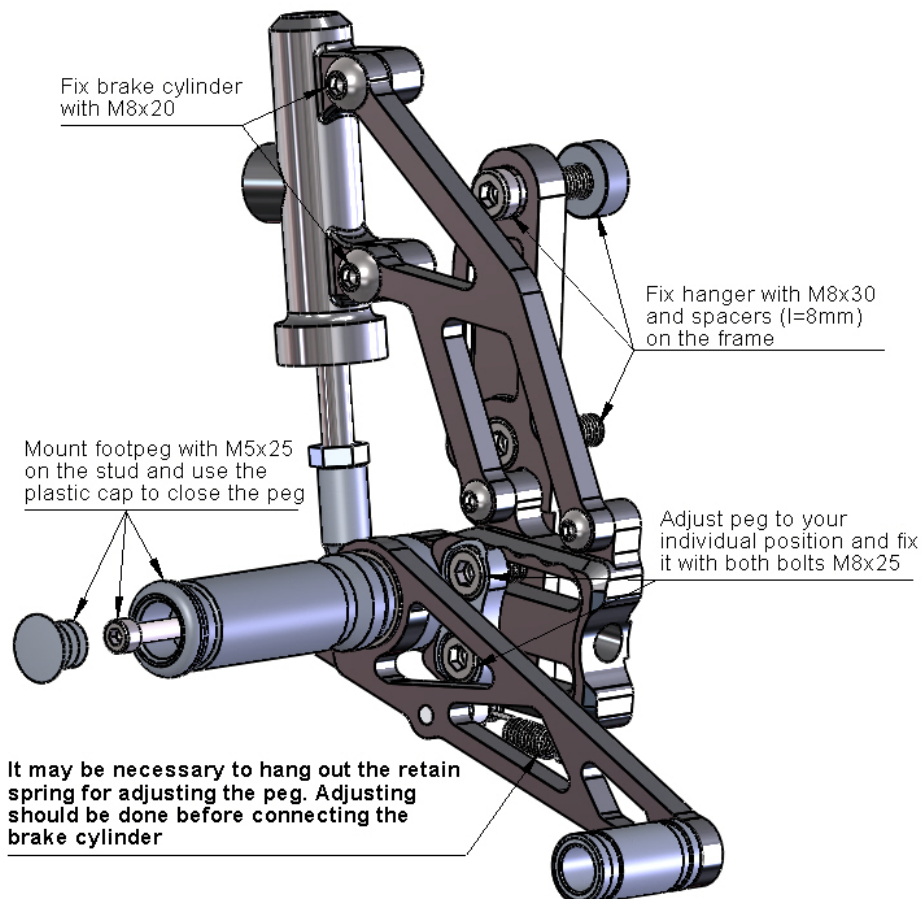


Periodically proof all functions during service intervals. Use **particle free (no MoS₂)** lithium or barium soap grease to maintain lever bushings.

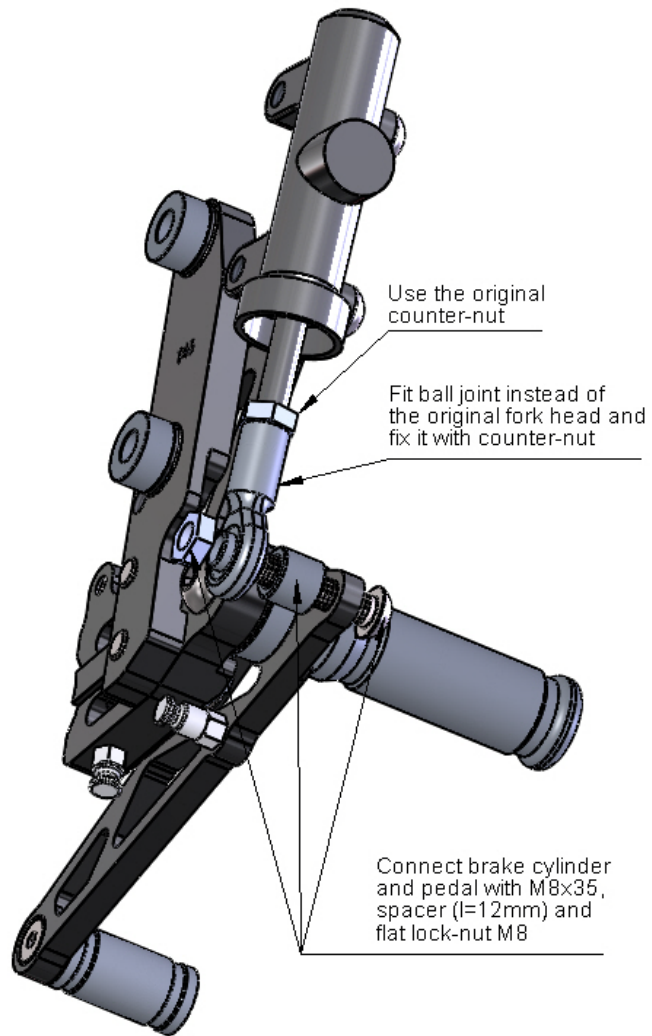
Fitting left:



Fitting right (step 1):



Fitting right (step 2):





LSL-Motorradtechnik GmbH • D-47809 Krefeld

www.lsl.eu