

7707FZ - 7707KZ

MONORACK SPECIFICO - SPECIFIC MONORACK - MONORACK SPECIFIQUE - SPEZIFISCHES MONORACK -
MONORACK ESPECÍFICO - MONORACK ESPECÍFICA

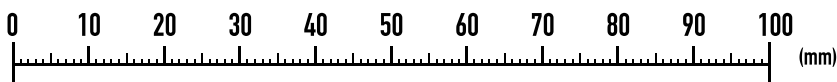
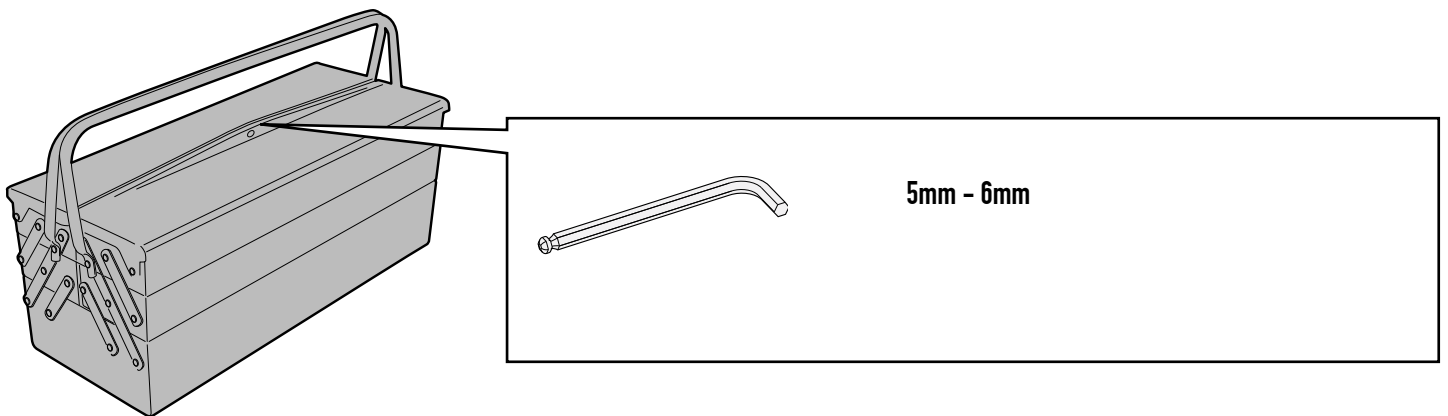
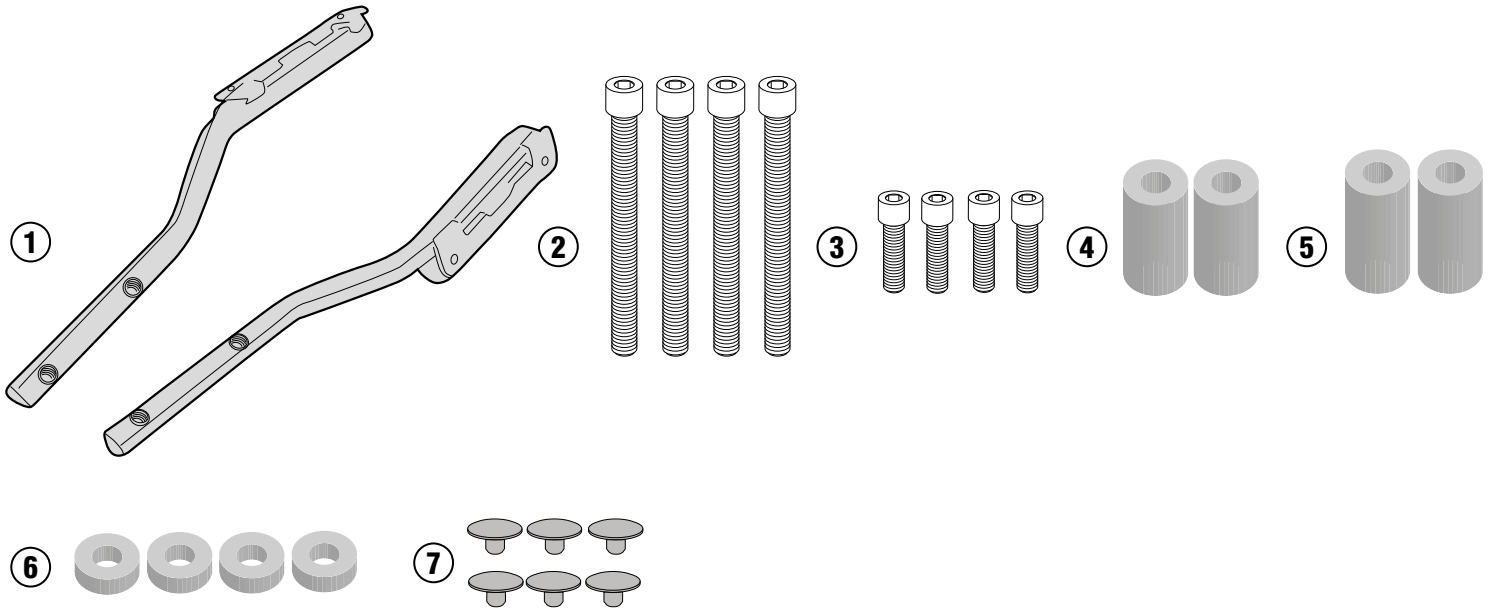
KTM DUKE 125 (2017)/ KTM DUKE 390 (2017)

N°	Descrizione	Caratteristiche	Codice	Quantità
1	Supporto - Support - Support Halterung - Soporte - Apoio	-	7707FZDXS 7707FZSXS	2 (Dx,Sx)
2	Vite - Screw Vis - Schraube Tornillo - Parafuso	TCEI M8x75	875TCEI	4
3	Vite - Screw Vis - Schraube Tornillo - Parafuso	TCEI M6x25	625TCEI	4
4	Distanziale - Spacer Entretoise - Distanzstueck - Distanciador	Ø18x35 Foro 8,5	C18L35F8,5T	2
5	Distanziale - Spacer Entretoise - Distanzstueck - Distanciador	Ø18x38 Foro 8,5	C18L38F8,5T	2
6	Distanziale - Spacer Entretoise - Distanzstueck - Distanciador	Ø18x6 Foro 8,5	C18L6F8,5T	4
7	Copriforo - Bolt Cap Cache Trou - Stopslock Tapa Agujero - Tampa do Orificio	-	Z801	4
8	Particolari Inclusi in TE7707 Components Included In The TE7707 Pièces Incluses Dans TR7707 Die Einzelnen Teile Sind Bei TE7707	-	-	-
9	Particolari Inclusi Nel Kit Viteria Della Piastra Components Included In The Fitting Kit Of The Plate Pièces Incluses Dans Le Kit De Vis De La Platine Die Einzelnen Teile Sind Bei Montagekit Der Platte Enthalten Despieces Incluidos En El Kit De Anclajes De La Parrilla	-	-	-

7707FZ - 7707KZ

MONORACK SPECIFICO - SPECIFIC MONORACK - MONORACK SPECIFIQUE - SPEZIFISCHES MONORACK -
MONORACK ESPECÍFICO - MONORACK ESPECÍFICA

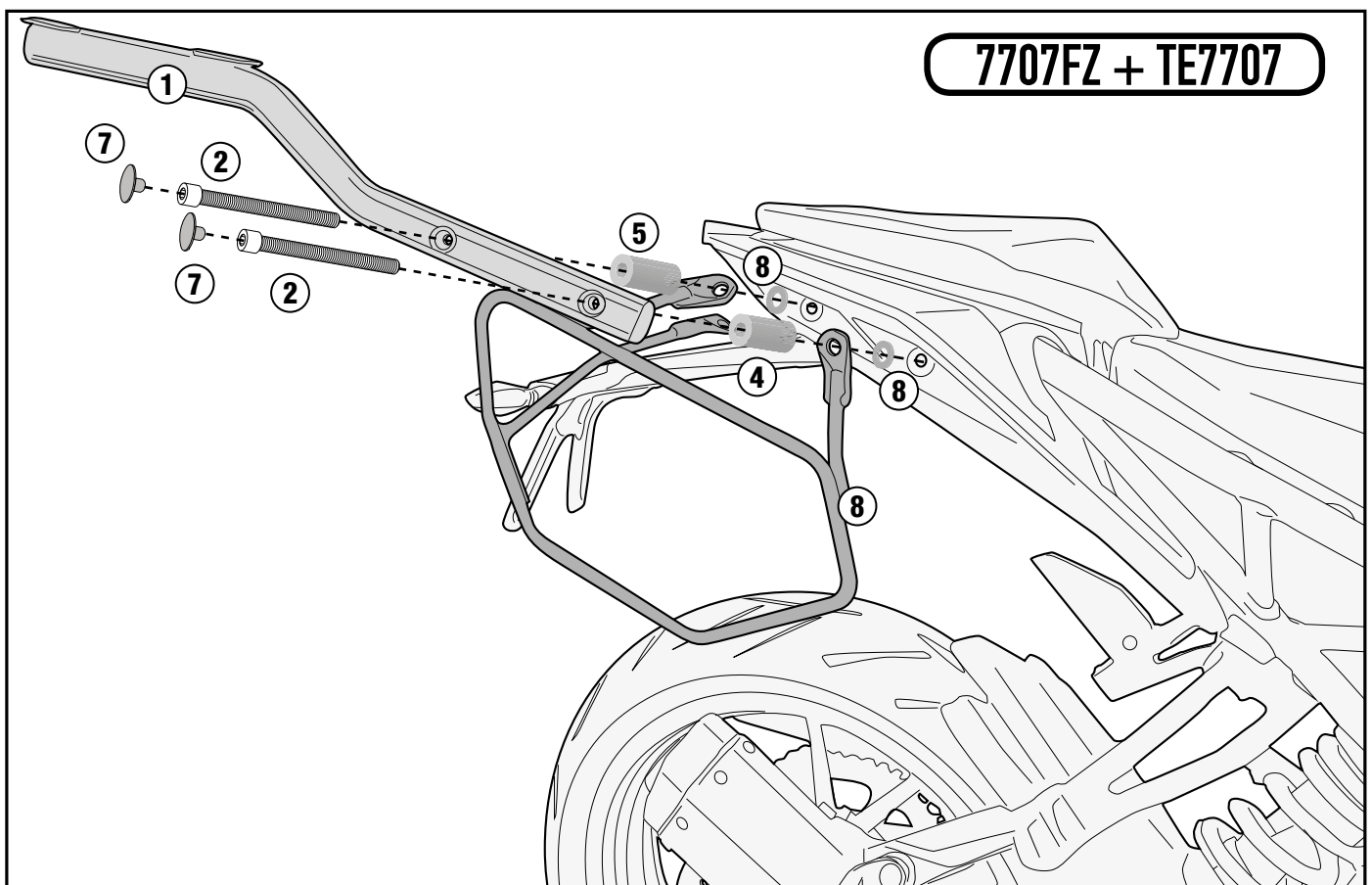
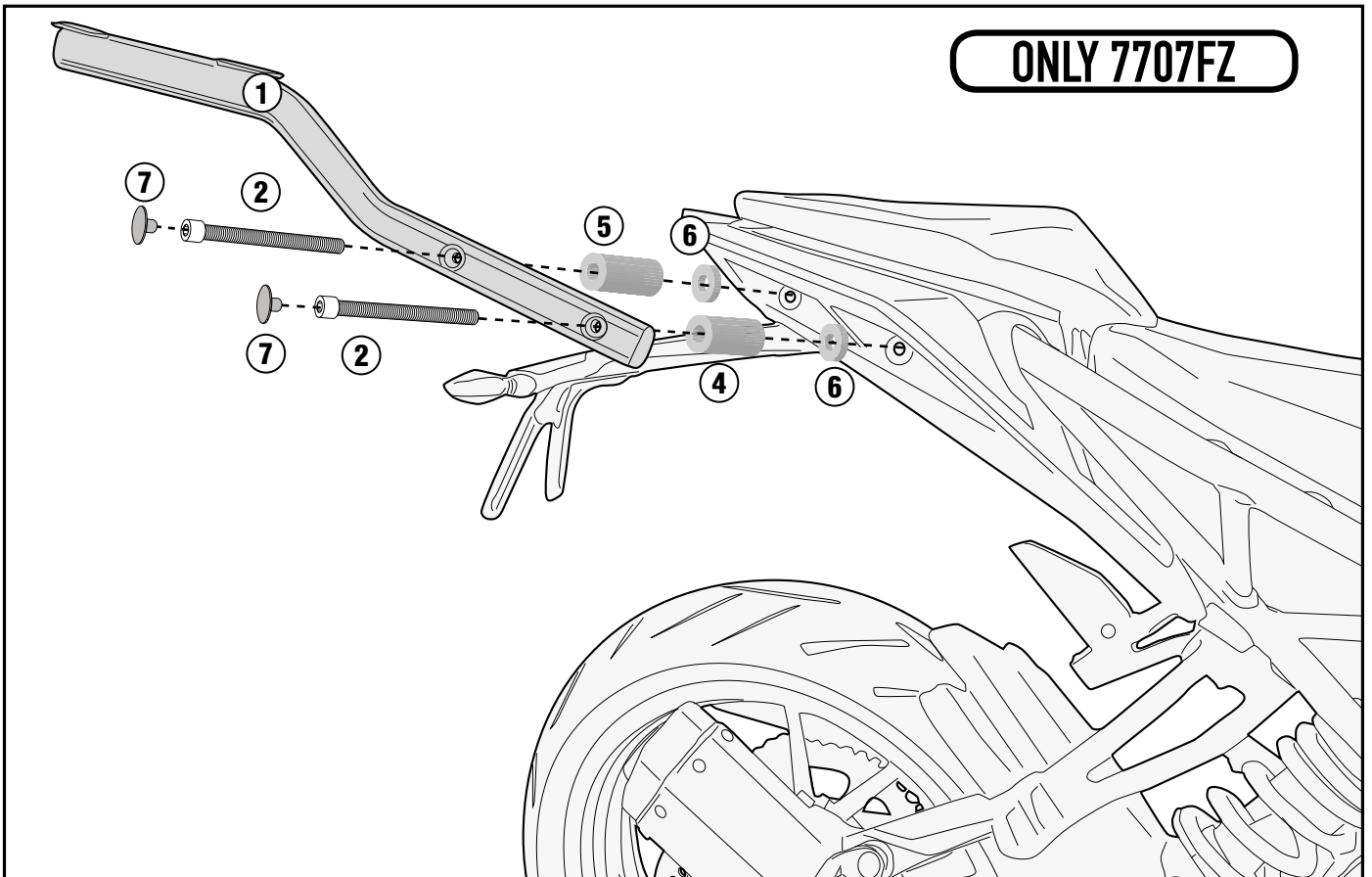
KTM DUKE 125 (2017)/ KTM DUKE 390 (2017)



7707FZ - 7707KZ

MONORACK SPECIFICO - SPECIFIC MONORACK - MONORACK SPECIFIQUE - SPEZIFISCHES MONORACK -
MONORACK ESPECÍFICO - MONORACK ESPECÍFICA

KTM DUKE 125 (2017)/ KTM DUKE 390 (2017)



7707FZ - 7707KZ

MONORACK SPECIFICO - SPECIFIC MONORACK - MONORACK SPECIFIQUE - SPEZIFISCHES MONORACK -
MONORACK ESPECÍFICO - MONORACK ESPECÍFICA

KTM DUKE 125 (2017)/ KTM DUKE 390 (2017)

CAN MOUNT ONLY Z113 PLATE

