

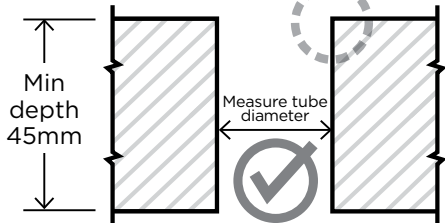
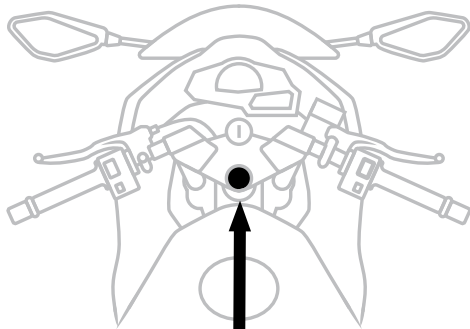
MOTORCYCLE FORK STEM MOUNT

INSTRUCTIONS

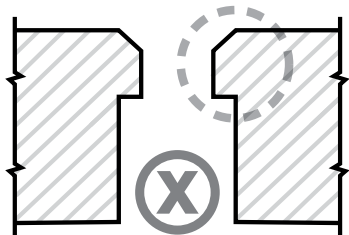


PRE-INSTALL CHECK

Measure tube diameter, select and fit the correct spacer before installing the mount.
Expand the spacer to approx hole diameter before installation.

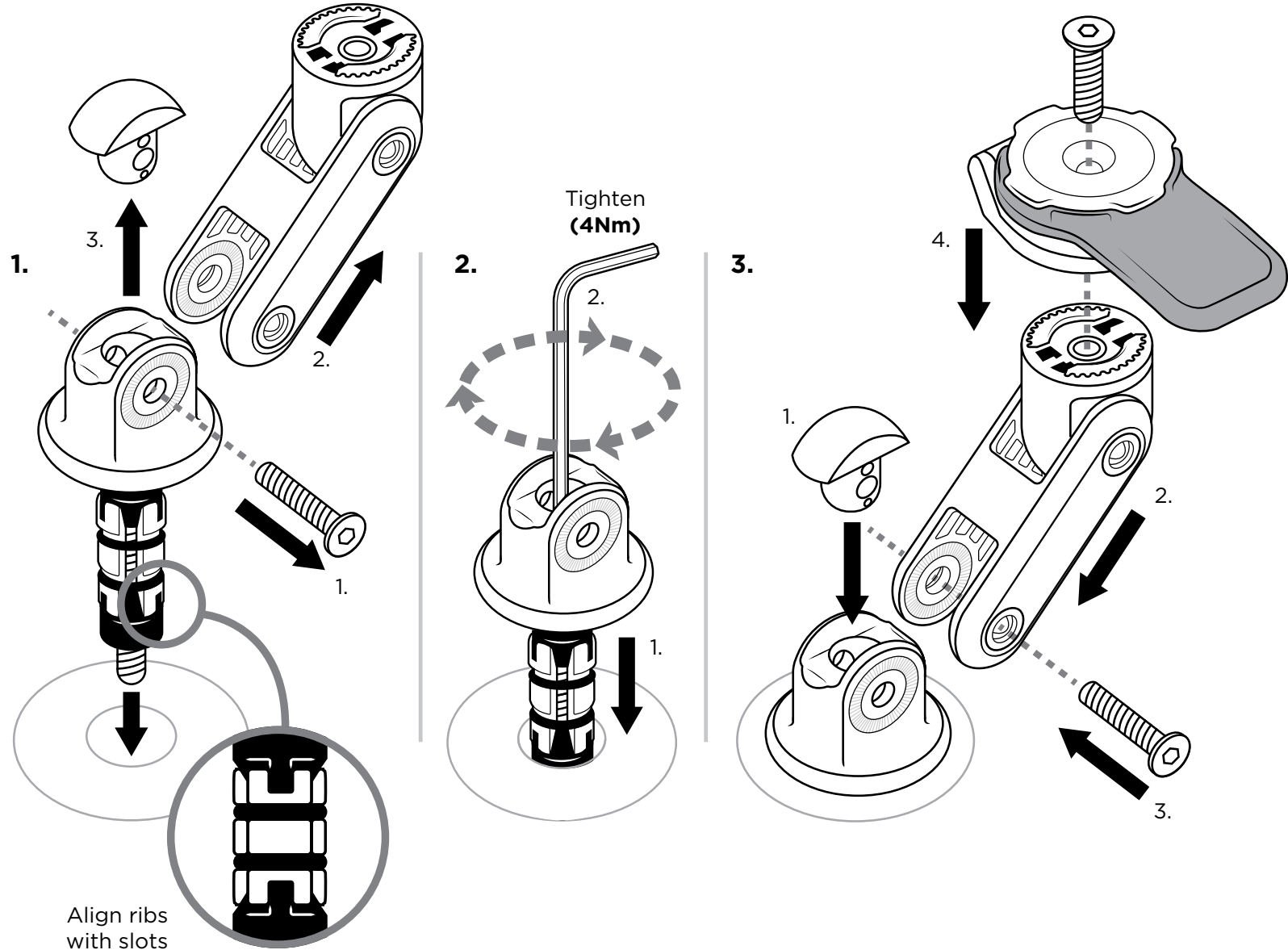


**NO LIP IN TUBE
SAFE TO INSTALL**

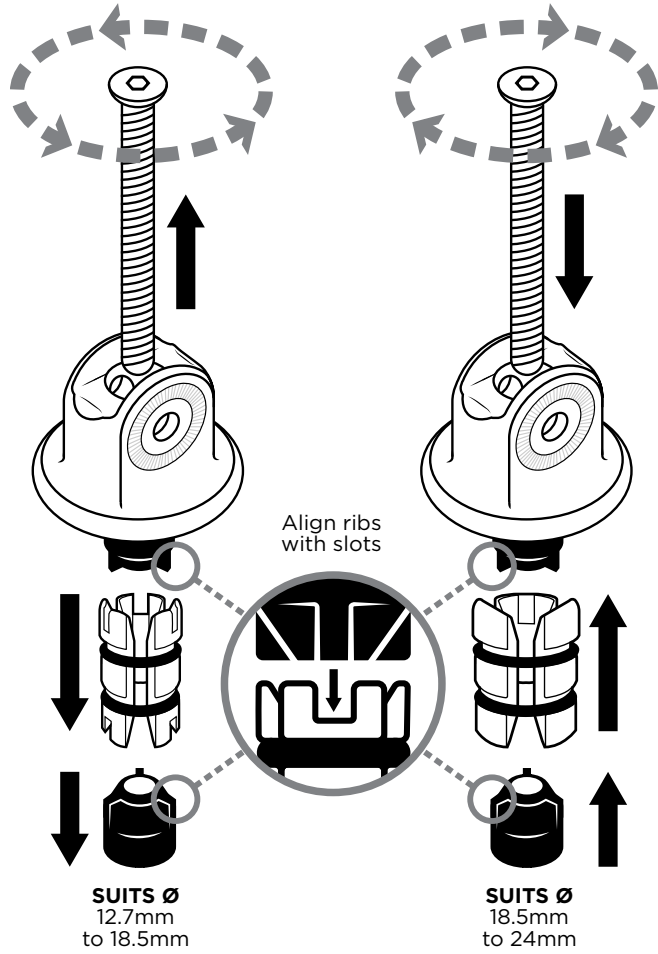


**LIP AT TOP OF TUBE
DO NOT INSTALL**

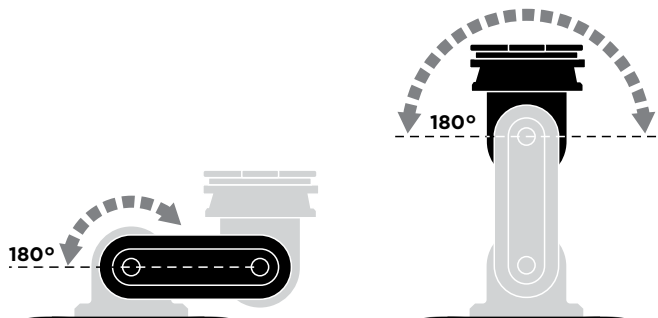
INSTALLING THE MOUNT



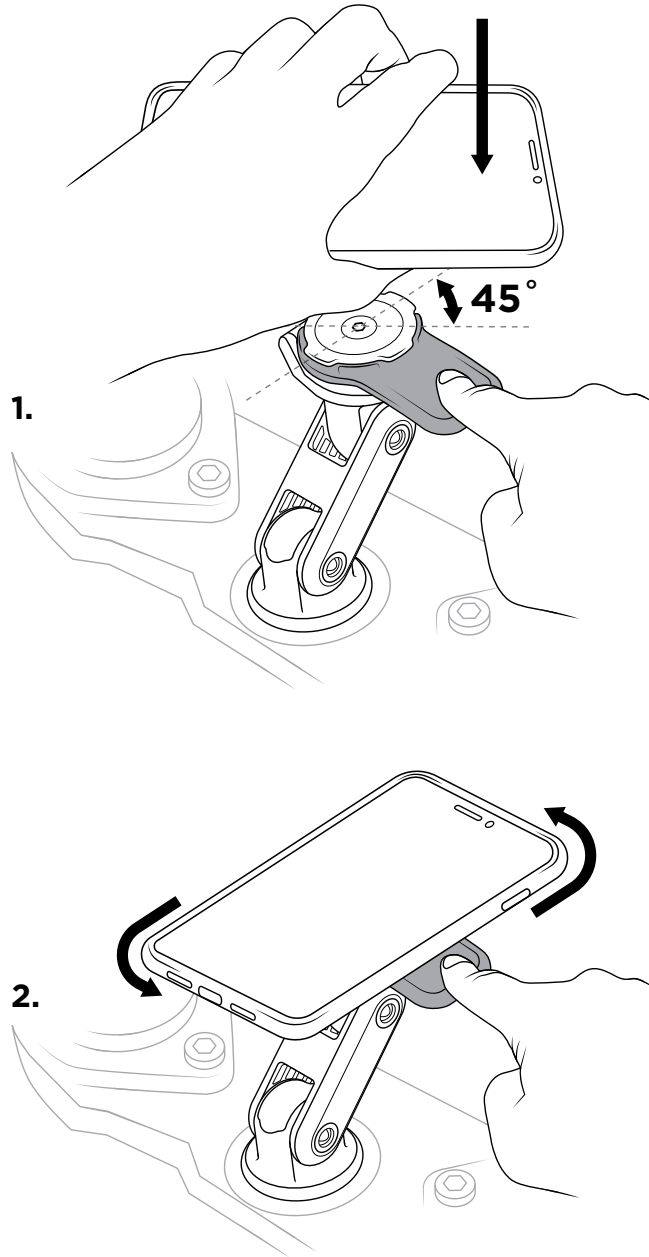
CHANGING THE SPACER



ADJUST YOUR MOUNTING ANGLE



ATTACH YOUR PHONE



DETACH YOUR PHONE

