



INSTALLATION INSTRUCTIONS

PART NUMBER: RK-3956

This Assembly Fits:

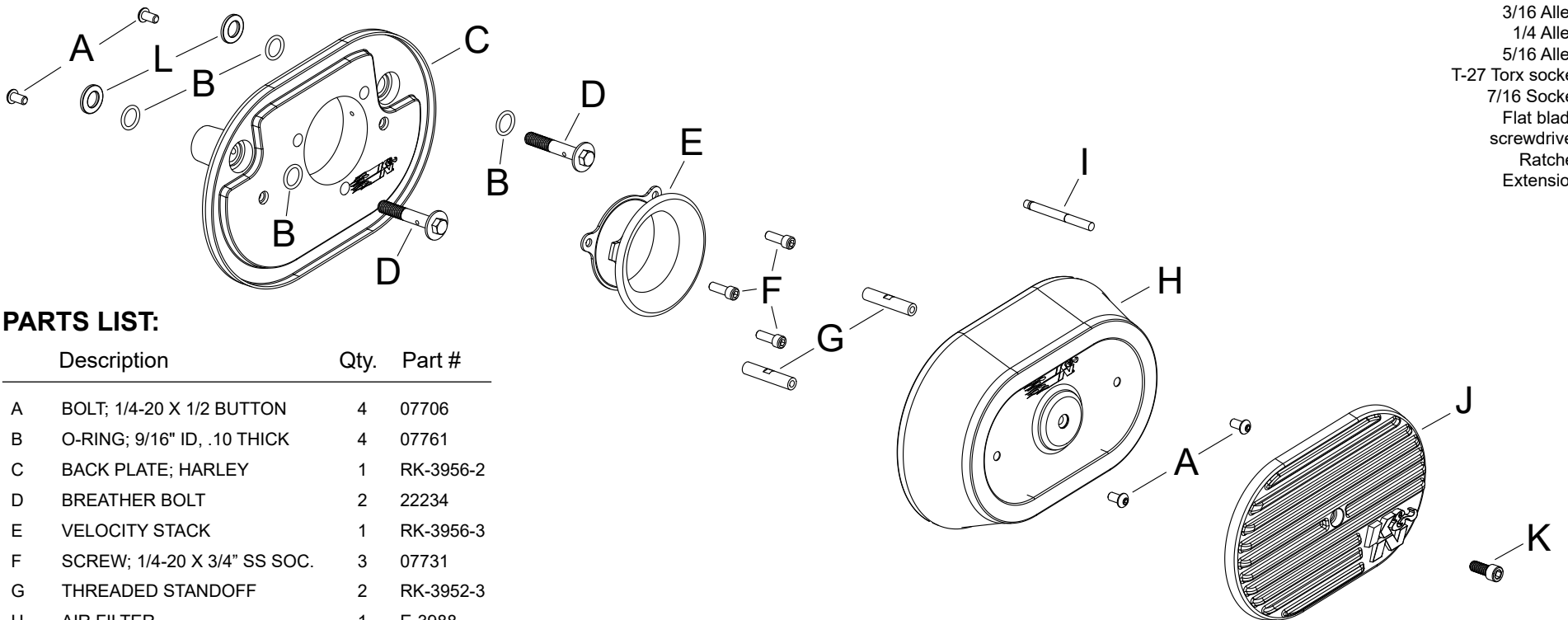
SEE CATALOG FOR CURRENT APPLICATIONS

SEE KNFILTERS.COM FOR CARB STATUS ON EACH PART FOR A SPECIFIC VEHICLE

Congratulations, you have purchased the finest custom air cleaner that money can buy. With proper care, this filter will last 1 million miles or more. This custom air cleaner replaces the stock air cleaner assembly. The following procedure **MUST** be followed to ensure a proper fit and seal of the custom air cleaner.

TOOLS NEEDED:

- 3/16 Allen
- 1/4 Allen
- 5/16 Allen
- T-27 Torx socket
- 7/16 Socket
- Flat blade screwdriver
- Ratchet
- Extension



PARTS LIST:

Description	Qty.	Part #
A BOLT; 1/4-20 X 1/2 BUTTON	4	07706
B O-RING; 9/16" ID, .10 THICK	4	07761
C BACK PLATE; HARLEY	1	RK-3956-2
D BREATHER BOLT	2	22234
E VELOCITY STACK	1	RK-3956-3
F SCREW; 1/4-20 X 3/4" SS SOC.	3	07731
G THREADED STANDOFF	2	RK-3952-3
H AIR FILTER	1	E-3988
I THREAD LOCKER	1	482
J FILTER LID	1	RK-3952-1
K SCREW; 5/16-18 X 3/4" SS SOC	1	22251
L SPACER	2	06536

If you need any assistance please call 1-800-858-3333 to speak with a representative in our Customer Service Center before returning the product.

NOTE: FAILURE TO FOLLOW INSTALLATION INSTRUCTIONS AND NOT USING THE PROVIDED HARDWARE MAY DAMAGE THE INTAKE TUBE, THROTTLE BODY AND ENGINE.

TO START:

1. Turn off the ignition and disconnect the negative battery cable.



2. Remove air filter cover bolt and air filter cover as shown.



3. Loosen the three air filter retaining bolts as shown.



4. Remove the air filter from the vehicle and disconnect the crankcase breather tubes.



5. Remove the two breather/air filter base mounting bolts as shown.
NOTE: K&N Engineering, Inc., recommends that customers do not discard factory air intake.



6. Remove the air filter base from the vehicle as shown



7. Install the provided intake velocity stack and the three throttle body bolts in the K&N® back plate. Install the two filter spacers onto the front of the K&N® back plate as shown using the provided hardware.
NOTE: Be sure to place one drop of thread locker onto each bolt.



8. Install two of the o rings provided onto the back side of the K&N® back plate as shown.



9. Install the remaining two o rings onto the front of the K&N® back plate as shown.



10. Install the filter back plate onto the throttle body and secure first with the throttle body bolts and then with the breather bolts.

NOTE: Be sure to place one drop of thread locker onto each bolt.

NOTE: On applications that have had the support bracket removed, install the two provided spacers between the back plate and cylinder head at the breather holes and then install the breather bolts as shown.



11. Place the K&N® filter on the back plate and attach with the remaining button head screws.

NOTE: Apply one drop of provided thread locker to each screw.



12. Attach cover plate with provided socket head Allen screw.

NOTE: Apply one drop of provided thread locker to screw.

13. Reconnect the vehicle's negative battery cable. Double check to make sure everything is tight and properly positioned before starting the vehicle.

14. It will be necessary for all K&N® custom air cleaners to be checked periodically for realignment, clearance and tightening of all connections. Failure to follow the above instructions or proper maintenance may void warranty.

ROAD TESTING:

1. Start the engine with the transmission in neutral. Listen for air leaks or odd noises. For air leaks secure hoses and connections. For odd noises, find cause and repair before proceeding. This kit will function identically to the factory system except for being louder and much more responsive.

2. Test ride the vehicle. Listen for odd noises or rattles and fix as necessary.

3. If road test is fine, you can now enjoy the added power and performance from your kit.

4. K&N Engineering, Inc., requires cleaning the intake system's air filter element every 50,000 miles. When used in dusty or off-road environments, our filters will require cleaning more often. We recommend that you visually inspect your filter once every 25,000 miles to determine if the screen is still visible. When the screen is no longer visible some place on the filter element, it is time to clean it. To clean and re-oil, purchase our filter Recharger® service kit, part number 99-5050 or 99-5000 and follow the easy instructions.

NOT LEGAL FOR SALE OR USE ON ANY POLLUTION CONTROLLED MOTOR VEHICLE IN CALIFORNIA OR STATES ADOPTING CALIFORNIA EMISSION PROCEDURES.

See knfilters.com for CARB status on each part for a specific vehicle