

#88457 Speed Pulse Converter for BMW Boxers with speedometer cable

For DAYTONA electrical speedometers VELONA, NANO and other electrical speedometers

features

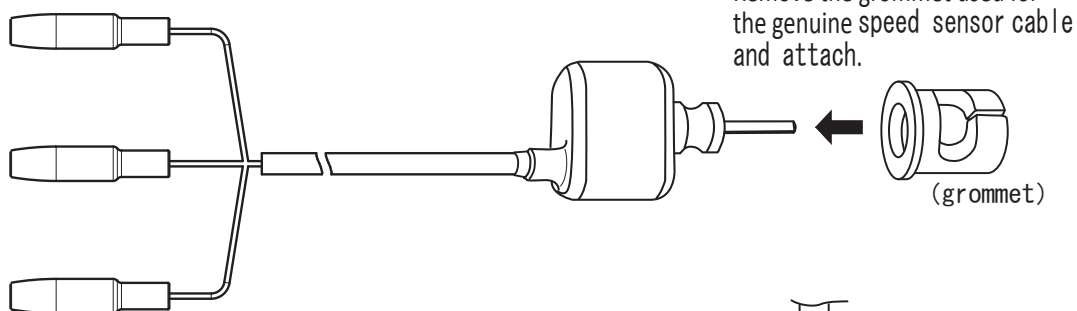
- ★ To get an electrical signal from your Boxer to your DAYTONA Speedometers.
- ★ Converts mechanical movement of the speedometer gear/cable to electrical pulse signal, and then sends the pulse signal to the electrical speedometers.
- ★ Requires to recalibrate the speedometer according to the installing instruction.
- ★ Needs stable 12V power supply to run the converter.
- ★ Won't work with 6V or AC12V.

wiring

RED: DC12V(+)

YELLOW:
Speed signal output
---To be connected to
pulse input wire of
the speedometer

BLACK: GND(-)



Wrong wiring may cause malfunction of the gauge.
Make sure to have correct wiring.



Replace the genuine speed sensor cable with this converter.